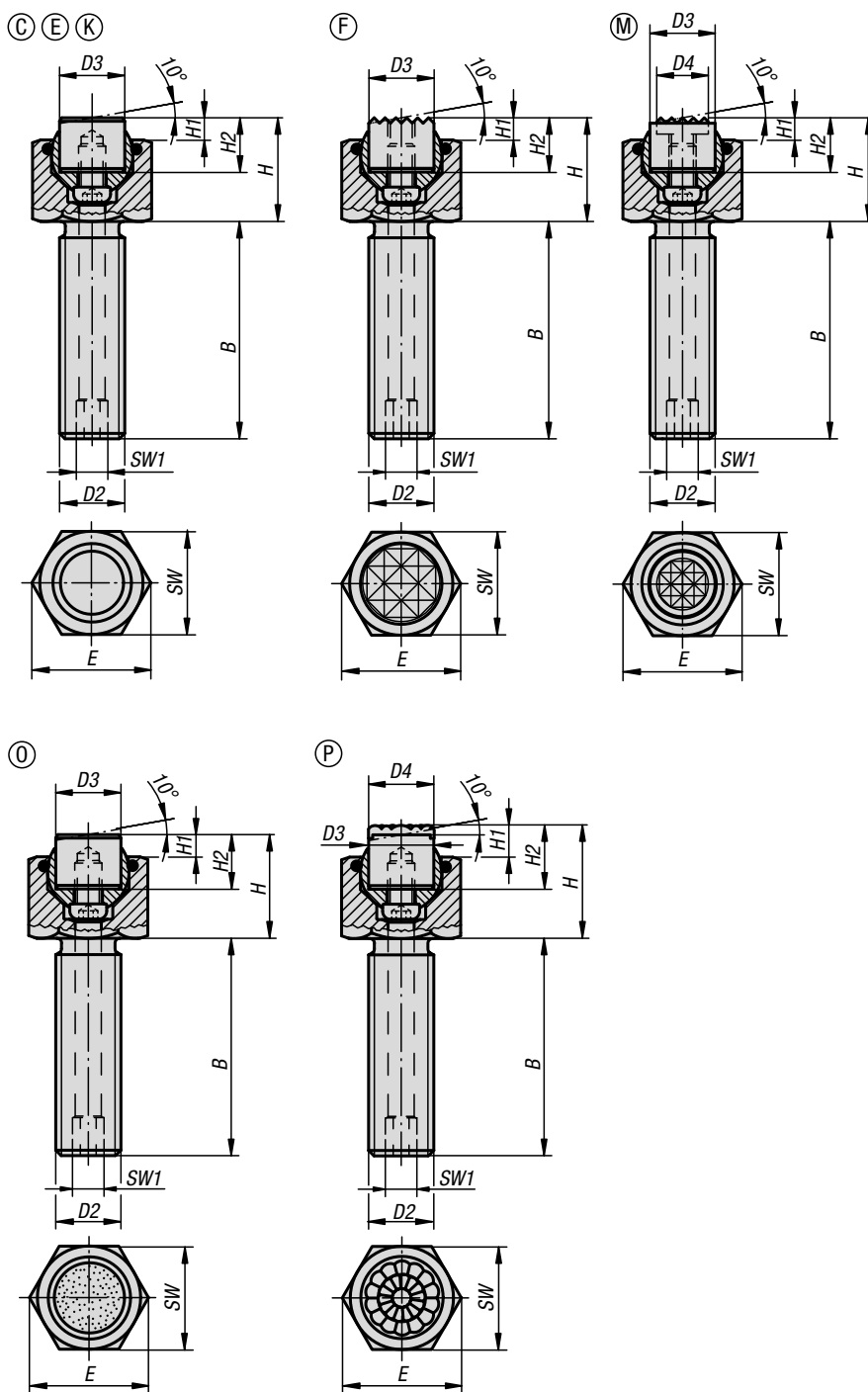


# Self-aligning pads

adjustable, with O-ring and exchangeable inserts



**Material:**

Body carbon steel.  
 Ball rust and acid resistant steel.  
 Inserts:  
 Form C, F, M tool steel  
 Form K POM  
 Form E stainless steel.  
 Form O stainless steel diamond impregnated.  
 Form P stainless steel with polyurethane surface.

**Version:**

Body tempered, black oxidised.  
 Ball hardened, bright.  
 Inserts:  
 Form C, F hardened, black oxidised.  
 Form M with carbide serrations, black oxidised.  
 Form K white.  
 Form E hardened, bright.  
 Form O diamond impregnated surface comparable to 100 grade abrasive grit.  
 Form P polyurethane surface, hardness 60 Shore.

**Sample order:**

K0289.124X100

**Note:**

Self-aligning pads are used to support and clamp unmachined and machined workpieces. They also serve as stops, supports and thrust pads in fixtures and toolmaking. The ball can be removed from the housing by applying light pressure to the socket head screw.

Ball secured against rotation.

**Advantages:**

Highly cost-effective as inserts can be exchanged. The built-in O-ring holds the ball in place and keeps dirt and foreign particles out, ensuring uniform movement.

## Self-aligning pads

adjustable, with O-ring and exchangeable inserts



Order No.	Form	B	D2	D3	H	H1	H2	E	SW	SW1	Ball-Ø	Load rating max. kN (static load only)	Order No. steel insert
K0289.110X015	C	15	M10	10	17	4	10	19,6	17	3	13	19	K0385.10108
K0289.110X030	C	30	M10	10	17	4	10	19,6	17	3	13	19	K0385.10108
K0289.110X050	C	50	M10	10	17	4	10	19,6	17	3	13	19	K0385.10108
K0289.112X020	C	20	M12	12	19	4	10	21,9	19	5	15	30	K0385.12108
K0289.112X040	C	40	M12	12	19	4	10	21,9	19	5	15	30	K0385.12108
K0289.112X060	C	60	M12	12	19	4	10	21,9	19	5	15	30	K0385.12108
K0289.116X025	C	25	M16	16	23	4	10	27,7	24	6	20	50	K0385.16108
K0289.116X050	C	50	M16	16	23	4	10	27,7	24	6	20	50	K0385.16108
K0289.116X080	C	80	M16	16	23	4	10	27,7	24	6	20	50	K0385.16108
K0289.120X030	C	30	M20	20	24	4	10	34,6	30	8	23	85	K0385.20108
K0289.120X060	C	60	M20	20	24	4	10	34,6	30	8	23	85	K0385.20108
K0289.120X100	C	100	M20	20	24	4	10	34,6	30	8	23	85	K0385.20108
K0289.124X040	C	40	M24	25	30	4	10	41,6	36	10	28	121	K0385.25108
K0289.124X100	C	100	M24	25	30	4	10	41,6	36	10	28	121	K0385.25108

Order No.	Form	B	D2	D3	H	H1	H2	E	SW	SW1	Ball-Ø	Load rating max. kN (static load only)	Order No. stainless steel insert
K0289.210X015	E	15	M10	10	17	4	10	19,6	17	3	13	19	K0385.10102
K0289.210X030	E	30	M10	10	17	4	10	19,6	17	3	13	19	K0385.10102
K0289.210X050	E	50	M10	10	17	4	10	19,6	17	3	13	19	K0385.10102
K0289.212X020	E	20	M12	12	19	4	10	21,9	19	5	15	30	K0385.12102
K0289.212X040	E	40	M12	12	19	4	10	21,9	19	5	15	30	K0385.12102
K0289.212X060	E	60	M12	12	19	4	10	21,9	19	5	15	30	K0385.12102
K0289.216X025	E	25	M16	16	23	4	10	27,7	24	6	20	50	K0385.16102
K0289.216X050	E	50	M16	16	23	4	10	27,7	24	6	20	50	K0385.16102
K0289.216X080	E	80	M16	16	23	4	10	27,7	24	6	20	50	K0385.16102
K0289.220X030	E	30	M20	20	24	4	10	34,6	30	8	23	85	K0385.20102
K0289.220X060	E	60	M20	20	24	4	10	34,6	30	8	23	85	K0385.20102
K0289.220X100	E	100	M20	20	24	4	10	34,6	30	8	23	85	K0385.20102
K0289.224X040	E	40	M24	25	30	4	10	41,6	36	10	28	121	K0385.25102
K0289.224X100	E	100	M24	25	30	4	10	41,6	36	10	28	121	K0385.25102

Order No.	Form	B	D2	D3	H	H1	H2	E	SW	SW1	Ball-Ø	Load rating max. kN (static load only)	Order No. gripper
K0289.310X015	F	15	M10	10	17	4	10	19,6	17	3	13	19	K0385.1010
K0289.310X030	F	30	M10	10	17	4	10	19,6	17	3	13	19	K0385.1010
K0289.310X050	F	50	M10	10	17	4	10	19,6	17	3	13	19	K0385.1010
K0289.312X020	F	20	M12	12	19	4	10	21,9	19	5	15	30	K0385.1210
K0289.312X040	F	40	M12	12	19	4	10	21,9	19	5	15	30	K0385.1210
K0289.312X060	F	60	M12	12	19	4	10	21,9	19	5	15	30	K0385.1210
K0289.316X025	F	25	M16	16	23	4	10	27,7	24	6	20	50	K0385.1610
K0289.316X050	F	50	M16	16	23	4	10	27,7	24	6	20	50	K0385.1610
K0289.316X080	F	80	M16	16	23	4	10	27,7	24	6	20	50	K0385.1610
K0289.320X030	F	30	M20	20	24	4	10	34,6	30	8	23	85	K0385.2010
K0289.320X060	F	60	M20	20	24	4	10	34,6	30	8	23	85	K0385.2010
K0289.320X100	F	100	M20	20	24	4	10	34,6	30	8	23	85	K0385.2010
K0289.324X040	F	40	M24	25	30	4	10	41,6	36	10	28	121	K0385.2510
K0289.324X100	F	100	M24	25	30	4	10	41,6	36	10	28	121	K0385.2510

# Self-aligning pads

adjustable, with O-ring and exchangeable inserts



Order No.	Form	B	D2	D3	H	H1	H2	E	SW	SW1	Ball-Ø	Load rating max. kN (static load only)	Order No. POM insert
K0289.710X015	K	15	M10	10	17	4	10	19,6	17	3	13	4	K0385.10109
K0289.710X030	K	30	M10	10	17	4	10	19,6	17	3	13	4	K0385.10109
K0289.710X050	K	50	M10	10	17	4	10	19,6	17	3	13	4	K0385.10109
K0289.712X020	K	20	M12	12	19	4	10	21,9	19	5	15	7	K0385.12109
K0289.712X040	K	40	M12	12	19	4	10	21,9	19	5	15	7	K0385.12109
K0289.712X060	K	60	M12	12	19	4	10	21,9	19	5	15	7	K0385.12109
K0289.716X025	K	25	M16	16	23	4	10	27,7	24	6	20	14	K0385.16109
K0289.716X050	K	50	M16	16	23	4	10	27,7	24	6	20	14	K0385.16109
K0289.716X080	K	80	M16	16	23	4	10	27,7	24	6	20	14	K0385.16109
K0289.720X030	K	30	M20	20	24	4	10	34,6	30	8	23	27	K0385.20109
K0289.720X060	K	60	M20	20	24	4	10	34,6	30	8	23	27	K0385.20109
K0289.720X100	K	100	M20	20	24	4	10	34,6	30	8	23	27	K0385.20109
K0289.724X040	K	40	M24	25	30	4	10	41,6	36	10	28	47	K0385.25109
K0289.724X100	K	100	M24	25	30	4	10	41,6	36	10	28	47	K0385.25109

Order No.	Form	B	D2	D3	D4	H	H1	H2	E	SW	SW1	Ball-Ø	Load rating max. kN (static load only)	Order No. gripper
K0289.910X015	M	15	M10	10	7,9	17	4	10	19,6	17	3	13	19	K0385.10107
K0289.910X030	M	30	M10	10	7,9	17	4	10	19,6	17	3	13	19	K0385.10107
K0289.910X050	M	50	M10	10	7,9	17	4	10	19,6	17	3	13	19	K0385.10107
K0289.912X020	M	20	M12	12	9,5	19	4	10	21,9	19	5	15	30	K0385.12107
K0289.912X040	M	40	M12	12	9,5	19	4	10	21,9	19	5	15	30	K0385.12107
K0289.912X060	M	60	M12	12	9,5	19	4	10	21,9	19	5	15	30	K0385.12107
K0289.916X025	M	25	M16	16	12,7	23	4	10	27,7	24	6	20	50	K0385.16107
K0289.916X050	M	50	M16	16	12,7	23	4	10	27,7	24	6	20	50	K0385.16107
K0289.916X080	M	80	M16	16	12,7	23	4	10	27,7	24	6	20	50	K0385.16107
K0289.920X030	M	30	M20	20	15,9	24	4	10	34,6	30	8	23	85	K0385.20107
K0289.920X060	M	60	M20	20	15,9	24	4	10	34,6	30	8	23	85	K0385.20107
K0289.920X100	M	100	M20	20	15,9	24	4	10	34,6	30	8	23	85	K0385.20107
K0289.924X040	M	40	M24	25	19	30	4	10	41,6	36	10	28	121	K0385.25107
K0289.924X100	M	100	M24	25	19	30	4	10	41,6	36	10	28	121	K0385.25107

# Self-aligning pads

adjustable, with O-ring and exchangeable inserts



Order No.	Form	B	D2	D3	H	H1	H2	E	SW	SW1	Ball-Ø	Load rating max. kN (static load only)	Order No. stainless steel insert, diamond surface
K0289.510X015	O	15	M10	10	17	4	10	19,6	17	3	13	19	K0385.10105
K0289.510X030	O	30	M10	10	17	4	10	19,6	17	3	13	19	K0385.10105
K0289.510X050	O	50	M10	10	17	4	10	19,6	17	3	13	19	K0385.10105
K0289.512X020	O	20	M12	12	19	4	10	21,9	19	5	15	30	K0385.12105
K0289.512X040	O	40	M12	12	19	4	10	21,9	19	5	15	30	K0385.12105
K0289.512X060	O	60	M12	12	19	4	10	21,9	19	5	15	30	K0385.12105
K0289.516X025	O	25	M16	16	23	4	10	27,7	24	6	20	50	K0385.16105
K0289.516X050	O	50	M16	16	23	4	10	27,7	24	6	20	50	K0385.16105
K0289.516X080	O	80	M16	16	23	4	10	27,7	24	6	20	50	K0385.16105
K0289.520X030	O	30	M20	20	24	4	10	34,6	30	8	23	85	K0385.20105
K0289.520X060	O	60	M20	20	24	4	10	34,6	30	8	23	85	K0385.20105
K0289.520X100	O	100	M20	20	24	4	10	34,6	30	8	23	85	K0385.20105
K0289.524X040	O	40	M24	25	30	4	10	41,6	36	10	28	121	K0385.25105
K0289.524X100	O	100	M24	25	30	4	10	41,6	36	10	28	121	K0385.25105

Order No.	Form	B	D2	D3	D4	H	H1	H2	E	SW	SW1	Ball-Ø	Order No. stainless steel insert, polyurethane surface
K0289.610X015	P	15	M10	10	10	19	6	12	19,6	17	3	13	K0385.10126
K0289.610X030	P	30	M10	10	10	19	6	12	19,6	17	3	13	K0385.10126
K0289.610X050	P	50	M10	10	10	19	6	12	19,6	17	3	13	K0385.10126
K0289.612X020	P	20	M12	12	13	21	6	12	21,9	19	5	15	K0385.12126
K0289.612X040	P	40	M12	12	13	21	6	12	21,9	19	5	15	K0385.12126
K0289.612X060	P	60	M12	12	13	21	6	12	21,9	19	5	15	K0385.12126
K0289.616X025	P	25	M16	16	16	25	6	12	27,7	24	6	20	K0385.16126
K0289.616X050	P	50	M16	16	16	25	6	12	27,7	24	6	20	K0385.16126
K0289.616X080	P	80	M16	16	16	25	6	12	27,7	24	6	20	K0385.16126
K0289.620X030	P	30	M20	20	21	26	6	12	34,6	30	8	23	K0385.20126
K0289.620X060	P	60	M20	20	21	26	6	12	34,6	30	8	23	K0385.20126
K0289.620X100	P	100	M20	20	21	26	6	12	34,6	30	8	23	K0385.20126
K0289.624X040	P	40	M24	25	27	32	6	12	41,6	36	10	28	K0385.25126
K0289.624X100	P	100	M24	25	27	32	6	12	41,6	36	10	28	K0385.25126