

Self-aligning pads

with locknut



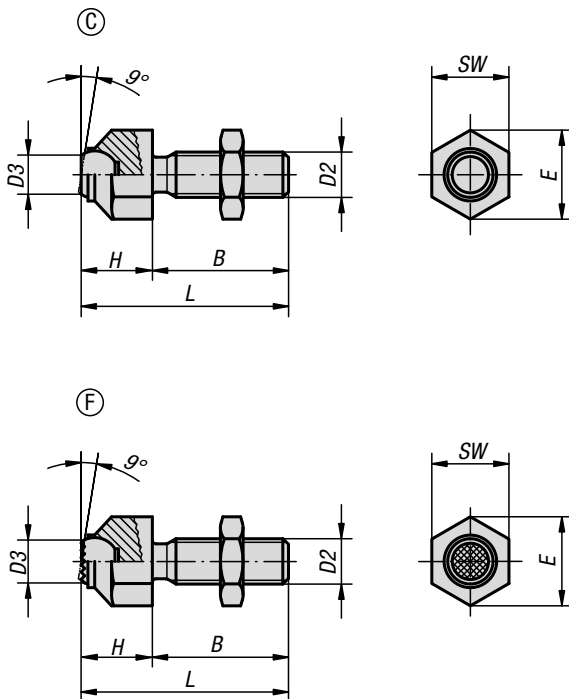
Material:
Steel or stainless steel.

Version:
Steel version:
Housing tempered and manganese phosphated.
Nut black oxidised.

Stainless steel version:
Housing tempered and electropolished.
Nut bright.

Sample order:
K0287.316

Note:
Ball secured against rotation.



KIPP Self-aligning pads adjustable

Order No.	Form	Main material	B	D2	D3	H	L	E	SW	Ball-Ø	Load rating max. kN (static load only)
K0287.308	F	steel	25	M8	5,8	11,6	36,6	14,5	13	8,5	8
K0287.310	F	steel	30	M10	8,6	15,7	45,7	19	17	12	8
K0287.312	F	steel	35	M12	8,6	15,7	50,7	19	17	12	15
K0287.316	F	steel	40	M16	10,5	20,7	60,7	27	24	16	25
K0287.320	F	steel	50	M20	20	27,3	77,3	33	30	25	90
K0287.3081	F	stainless steel	25	M8	5,8	11,6	36,6	14,5	13	8,5	8
K0287.3101	F	stainless steel	30	M10	8,6	15,7	45,7	19	17	12	8
K0287.3121	F	stainless steel	35	M12	8,6	15,7	50,7	19	17	12	15
K0287.3161	F	stainless steel	40	M16	10,5	20,7	60,7	27	24	16	25
K0287.3201	F	stainless steel	50	M20	20	27,3	77,3	33	30	25	90