

## Clamping grips high form



These grips are distinguished by their unusual design. The high form permits high clamping forces while being gentle to the hand.

**Material, version:**

Grip black hard thermoplastic.  
Coating black soft thermoplastic.  
Tapped bush brass.  
Screw electro zinc-plated steel grade 5.8.

**Sample order:**

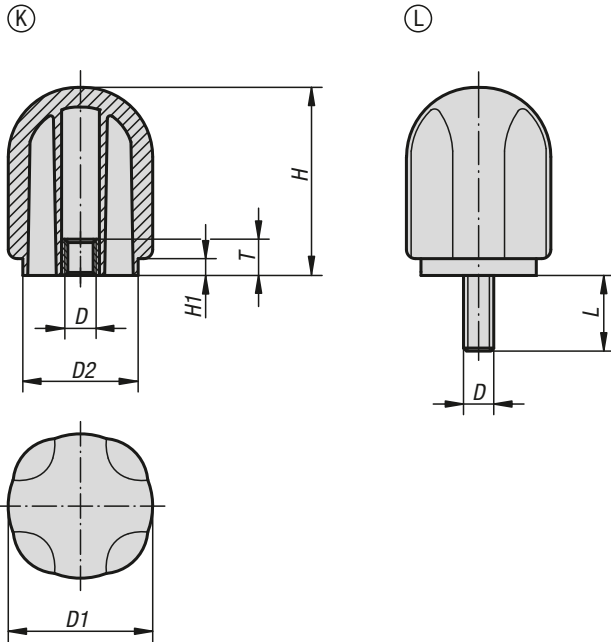
K0280.4206X20 (include length L)

**Note:**

SYMPA TOUCH high form clamping grips are available in 2 grip sizes with internal and external threads.

**On request:**

Other screw sizes, screw lengths, versions and colours.



### KIPP Clamping grips high form with internal thread

Order No.	Form	D	D1	D2	H	H1	T
K0280.4206	K	M6	42,7	34	55,6	4,8	12,5
K0280.4208	K	M8	42,7	34	55,6	4,8	12,5
K0280.4210	K	M10	42,7	34	55,6	4,8	12,5
K0280.4212	K	M12	42,7	34	55,6	4,8	12,5
K0280.4706	K	M6	47,8	38,1	62,2	5,6	12,5
K0280.4708	K	M8	47,8	38,1	62,2	5,6	12,5
K0280.4710	K	M10	47,8	38,1	62,2	5,6	12,5
K0280.4712	K	M12	47,8	38,1	62,2	5,6	12,5

### KIPP Clamping grips high form with external thread

Order No.	Form	D	D1	D2	H	H1	L
K0280.4206X	L	M6	42,7	34	55,6	4,8	15/20/25/35
K0280.4208X	L	M8	42,7	34	55,6	4,8	16/25/35
K0280.4210X	L	M10	42,7	34	55,6	4,8	20/30/40/50
K0280.4706X	L	M6	47,8	38,1	62,2	5,6	20/35
K0280.4708X	L	M8	47,8	38,1	62,2	5,6	35
K0280.4710X	L	M10	47,8	38,1	62,2	5,6	40/50