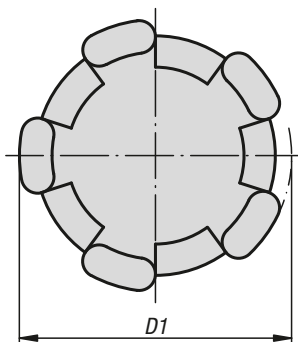
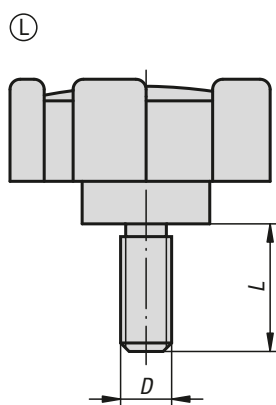
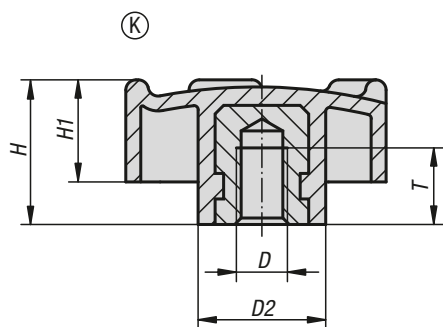


Five lobe grips



Material:

Grip black grey thermoplastic.
Bush steel or brass.
Screw 5.8 steel.

Version:

Steel bush electro zinc-plated.
Screw trivalent blue passivated.

Sample order:

K0276.3206

KIPP Five lobe grips with internal thread

Order No.	Form	D	D1	D2	H	H1	T
K0276.3206	K	M6	32	15	17	12	9
K0276.4008	K	M8	40	18	20,5	14,5	11
K0276.5010	K	M10	50	20	25	18	14

KIPP Five lobe grips with external thread

Order No.	Form	D	D1	D2	H	H1	L
K0276.320615	L	M6	32	15	17	12	15
K0276.400816	L	M8	40	18	20,5	14,5	16
K0276.501020	L	M10	50	20	25	18	20