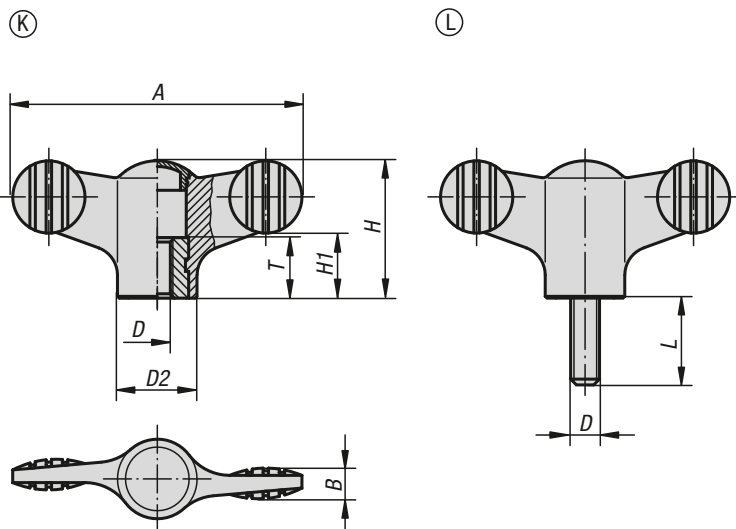


Wing grips



Material:

Grip black thermoplastic.
Bush and screw steel 5.8 or stainless steel 1.4305.

Version:

Bush or screw trivalent blue passivated steel or bright stainless steel.

Sample order:

K0274.1057X20 (cap colour colza yellow; include length L)

Note:

Δ Add the desired cap colour here.
No colour code is required for black grey caps.



KIPP Wing grips with internal thread

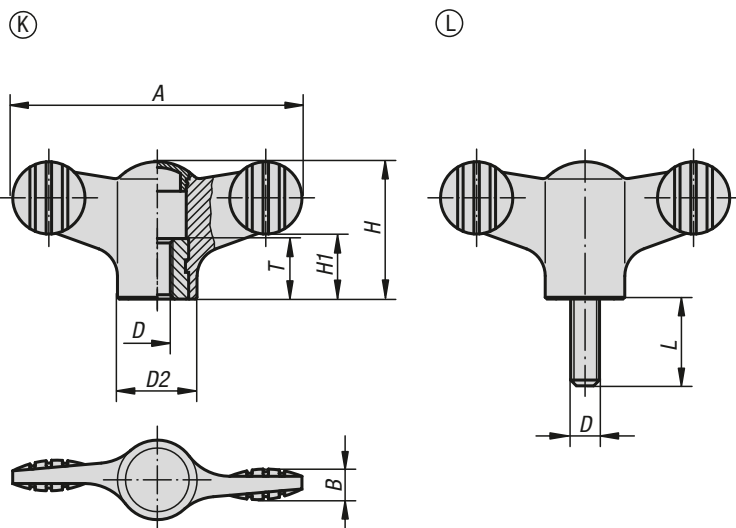
Order No. steel	Order No. stainless steel	A	B	D	D2	H	H1	T
K0274.904Δ	K0274.0904Δ	38	4,5	M4	12	18	8,5	10
K0274.905Δ	K0274.0905Δ	38	4,5	M5	12	18	8,5	10
K0274.906Δ	K0274.0906Δ	38	4,5	M6	12	18	8,5	10
K0274.105Δ	K0274.0105Δ	50	5	M5	14	24	11,5	10
K0274.106Δ	K0274.0106Δ	50	5	M6	14	24	11,5	10
K0274.208Δ	K0274.0208Δ	75	7	M8	21	35,6	16,5	14
K0274.210Δ	K0274.0210Δ	75	7	M10	21	35,6	16,5	14

KIPP Wing grips with external thread

Order No. steel	Order No. stainless steel	A	B	D	D2	H	H1	L
K0274.904ΔX	K0274.0904ΔX	38	4,5	M4	12	18	8,5	10/15
K0274.905ΔX	K0274.0905ΔX	38	4,5	M5	12	18	8,5	15/20/30
K0274.906ΔX	K0274.0906ΔX	38	4,5	M6	12	18	8,5	20/30/40
K0274.105ΔX	K0274.0105ΔX	50	5	M5	14	24	11,5	15/20
K0274.106ΔX	K0274.0106ΔX	50	5	M6	14	24	11,5	20/30/40
K0274.108ΔX	K0274.0108ΔX	50	5	M8	14	24	11,5	20/30/40
K0274.208ΔX	K0274.0208ΔX	75	7	M8	21	35,6	16,5	20/30/40
K0274.210ΔX	K0274.0210ΔX	75	7	M10	21	35,6	16,5	20/30/40/50

Wing grips antibacterial

metal parts stainless steel



Material:
Thermoplastic, slate grey.
Bush and screw stainless steel 1.4305.

Version:
Bush and screw bright.

Sample order:
K0274.120106144X20

Application:
The antibacterial KIPP MEDI grip products are highly effective against a variety of hazardous microorganisms, such as bacteria, fungi and even multi-resistant bacteria (e.g. MRSA). The plastic used incorporates micro-silver particles with an antimicrobial effect to ensure effective results throughout the entire product life cycle.

Function:
The growth of harmful micro-organisms on the product surface is effectively disrupted by means of silver ions, and the existing germs on MEDI grip products are consistently reduced (as tested and confirmed by an accredited testing laboratory). During cleaning cycles the risk of infection through touching these products is significantly lower.

Advantages:
Resistant to humidity and cleaning products (during disinfection) with no toxic side effects.

Applications:
For installation on machines, equipment, plants and furnishings in areas with increased hygienic requirements (including hospitals, doctors' surgeries, rehabilitation centres and food production facilities), as well as for use in public areas or regularly frequented institutions (i.e. nursing homes or daycare centres).

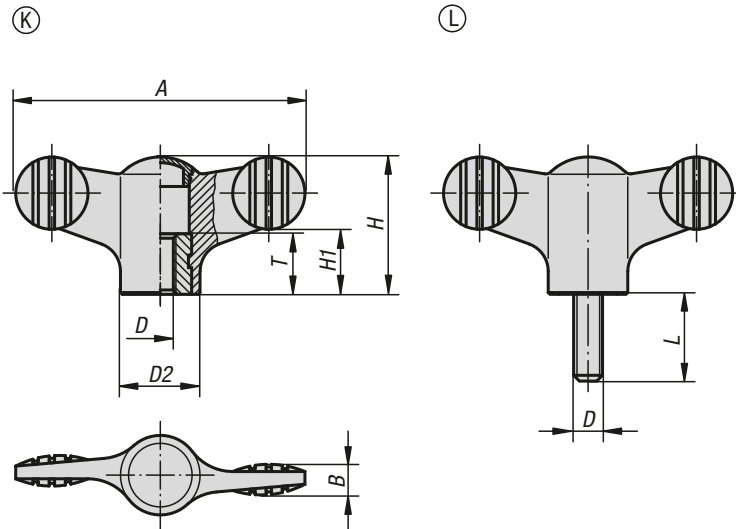
KIPP Wing grips antibacterial internal thread, metal parts stainless steel

Order No.	Form	D	A	B	D2	H	H1	T
K0274.120106144	K	M6	50	5	14	24	11,5	10

KIPP Wing grips antibacterial external thread, metal parts stainless steel

Order No.	Form	D	A	B	D2	H	H1	L
K0274.120106144X20	L	M6	50	5	14	24	11,5	20

Wing grips antistatic



Material:

Thermoplastic, graphite black.
Bush or screw steel 5.8.

Version:

Screw blue passivated.

Sample order:

K0274.1110624X20

Application:

Sensitive electrical or electronic equipment, components and devices (ESD sensitive elements) may be damaged or destroyed by electrostatic discharges (ESD) in the immediate vicinity. Electrostatic discharges can come from people or through handling ESD sensitive components (e.g. during production, assembly, transport, storage etc). Electrically conductive products which conform to DIN EN 61340-5-1 are essential within electronic environments to prevent an electrostatic discharge. These products can be used for ESD applications or in ESD protection areas (EPA) in accordance with DIN EN 61340-5-1.

Safety:

These ESD products can also be used for devices, components and protection systems in areas with high risk of explosion. Use of these ESD products prevents the occurrence of electrostatic spark discharges, eliminating the potential ignition of gases and dusts which could lead to explosions in enclosed spaces. Manufacturers and operators must use and conform to ATEX directives for the protection of persons working in areas with high risk of explosion. These ESD products are certified by TÜV-Süd in relation to their electrical discharge capability.

Target groups:

Device manufacturers required to conform to ATEX product directive 2014/34/EU.
Operators required to conform to ATEX worker protection directive 1999/92/EC.

KIPP Wing grips antistatic with internal thread

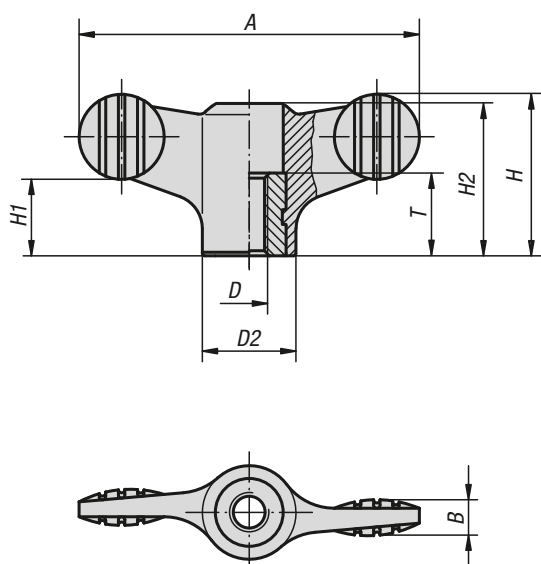
Order No.	Form	A	B	D	D2	H	H1	T
K0274.1110624	K	50	5	M6	14	24	11,5	10

KIPP Wing grips antistatic with external thread

Order No.	Form	A	B	D	D2	H	H1	L
K0274.1110624X20	L	50	5	M6	14	24	11,5	20

Wing grips

tapped through



Material:

Grip thermoplastic.
Bush steel 5.8 or stainless steel 1.4305.

Version:

Grip black grey.
Bush trivalent blue passivated steel or bright stainless steel.

Sample order:

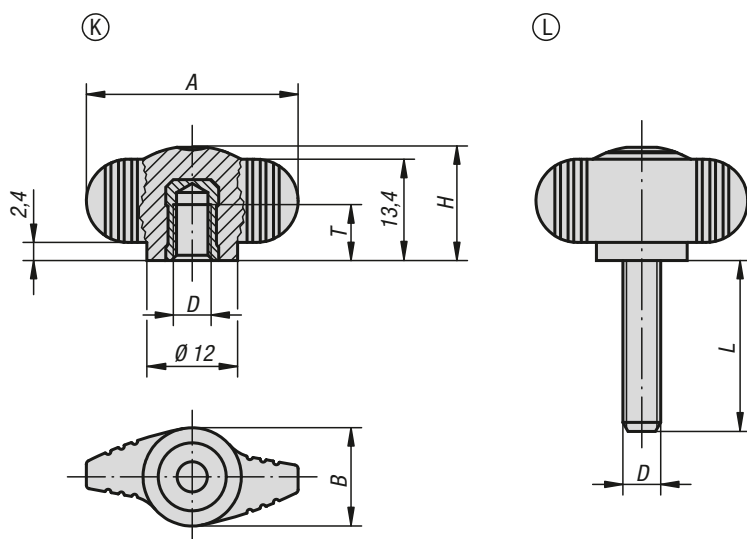
K0274.1904



KIPP Wing grips with tapped through bush

Order No.	Component material	A	B	D	D2	H	H1	H2	T
K0274.1904	steel	38	4,5	M4	12	18	8,5	16,1	10
K0274.1905	steel	38	4,5	M5	12	18	8,5	16,1	10
K0274.1906	steel	38	4,5	M6	12	18	8,5	16,1	10
K0274.1105	steel	50	5	M5	14	24	11,5	22	10
K0274.1106	steel	50	5	M6	14	24	11,5	22	10
K0274.1208	steel	75	7	M8	21	35,6	17	33,3	14
K0274.1210	steel	75	7	M10	21	35,6	17	33,3	14
K0274.10904	stainless steel	38	4,5	M4	12	18	8,5	16,1	10
K0274.10905	stainless steel	38	4,5	M5	12	18	8,5	16,1	10
K0274.10906	stainless steel	38	4,5	M6	12	18	8,5	16,1	10
K0274.10105	stainless steel	50	5	M5	14	24	11,5	22	10
K0274.10106	stainless steel	50	5	M6	14	24	11,5	22	10
K0274.10208	stainless steel	75	7	M8	21	35,6	17	33,3	14
K0274.10210	stainless steel	75	7	M10	21	35,6	17	33,3	14

Wing grips "Miniwing"



Material:
 Grip black grey thermoplastic.
 Bush brass or stainless steel 1.4305.
 Screw steel 5.8 or stainless steel 1.4305.

Version:
 Steel trivalent blue passivated.
 Stainless steel, bright.

Sample order:
 K0274.005X10 (include length L)

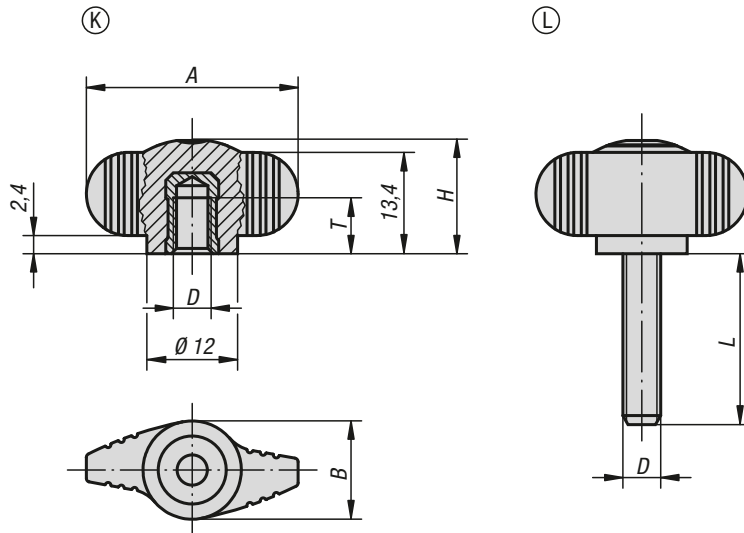
KIPP Wing grips "Miniwing" with internal thread

Order No.	Form	Component material	A	B	D	H	T
K0274.004	K	brass	28	13	M4	15	6
K0274.005	K	brass	28	13	M5	15	7,5
K0274.006	K	brass	28	13	M6	15	9
K0274.0004	K	stainless steel	28	13	M4	15	6
K0274.0005	K	stainless steel	28	13	M5	15	7,5
K0274.0006	K	stainless steel	28	13	M6	15	9

KIPP Wing grips "Miniwing" with external thread

Order No. steel	Order No. stainless steel	Form	A	B	D	H	L
K0274.004X	K0274.0004X	L	28	13	M4	15	8
K0274.005X	K0274.0005X	L	28	13	M5	15	10/15/20
K0274.006X	K0274.0006X	L	28	13	M6	15	10/15/20/25/30
K0274.008X	K0274.0008X	L	28	13	M8	15	20/25/30/40

Wing grips "Miniwing" biopolymer



Material:

Biopolymer, bush.
Bush brass. Screw 5.8 steel.

Version:

Screw trivalent blue passivated.
Natural beech with beech fibres or coloured black grey.

Sample order:

K0274.1000690

Advantages:

This biopolymer is manufactured entirely from renewable raw materials (oil free).
Conservation of finite fossil resources.
The wood fibres originate 100% from local, sustainably managed forests in Germany.

Features:

Excellent mechanical stability (certified with a minimum of 2x safety factor).
Biopolymer is suitable for recycling (comparable to thermoplastics).
Suitable for outdoor use (not biodegradable).
Excellent resistance to strong acids and lyes.
Short-term resistance to alcohol, fuel, mineral oil and grease.

KIPP Wing grips "Miniwing" with internal thread

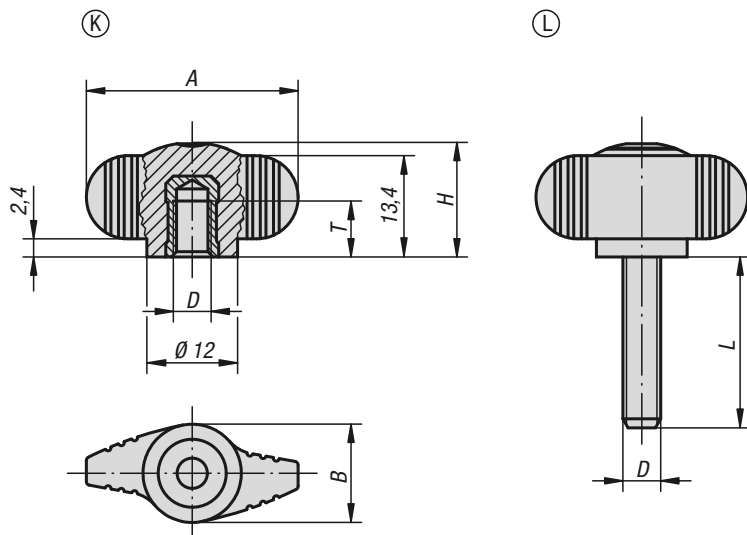
Order No.	Form	Main colour	D	A	B	H	T
K0274.1000490	K	black grey RAL 7021	M4	28	13	15	6
K0274.10004143	K	natural beech	M4	28	13	15	6
K0274.1000590	K	black grey RAL 7021	M5	28	13	15	7,5
K0274.10005143	K	natural beech	M5	28	13	15	7,5
K0274.1000690	K	black grey RAL 7021	M6	28	13	15	9
K0274.10006143	K	natural beech	M6	28	13	15	9

KIPP Wing grips "Miniwing" external thread

Order No.	Form	Main colour	A	B	D	H	L
K0274.1000490X8	L	black grey RAL 7021	28	13	M4	15	8
K0274.10004143X8	L	natural beech	28	13	M4	15	8
K0274.1000590X15	L	black grey RAL 7021	28	13	M5	15	15
K0274.10005143X15	L	natural beech	28	13	M5	15	15
K0274.1000690X15	L	black grey RAL 7021	28	13	M6	15	15
K0274.10006143X15	L	natural beech	28	13	M6	15	15
K0274.1000890X20	L	black grey RAL 7021	28	13	M8	15	20
K0274.10008143X20	L	natural beech	28	13	M8	15	20

Wing grips "Miniwing" antibacterial

metal parts stainless steel



Material:

Thermoplastic, slate grey.
Bush and screw stainless steel 1.4305.

Version:

Bush and screw bright.

Sample order:

K0274.120006144

Application:

The antibacterial KIPP MEDI grip products are highly effective against a variety of hazardous microorganisms, such as bacteria, fungi and even multi-resistant bacteria (e.g. MRSA). The plastic used incorporates micro-silver particles with an antimicrobial effect to ensure effective results throughout the entire product life cycle.

Function:

The growth of harmful micro-organisms on the product surface is effectively disrupted by means of silver ions, and the existing germs on MEDI grip products are consistently reduced (as tested and confirmed by an accredited testing laboratory). During cleaning cycles the risk of infection through touching these products is significantly lower.

Advantages:

Resistant to humidity and cleaning products (during disinfection) with no toxic side effects.

Applications:

For installation on machines, equipment, plants and furnishings in areas with increased hygienic requirements (including hospitals, doctors' surgeries, rehabilitation centres and food production facilities), as well as for use in public areas or regularly frequented institutions (i.e. nursing homes or daycare centres).

KIPP Wing grips "Miniwing" antibacterial internal thread, metal parts stainless steel

Order No.	Form	A	B	D	H	T
K0274.120006144	K	28	13	M6	15	9

KIPP Wing grips "Miniwing" antibacterial external thread, metal parts stainless steel

Order No.	Form	A	B	D	H	L
K0274.120006144X15	L	28	13	M6	15	15

Wing grips "Miniwing" antistatic



Material:
Thermoplastic, graphite black.
Bush brass or threaded pins steel 5.8.

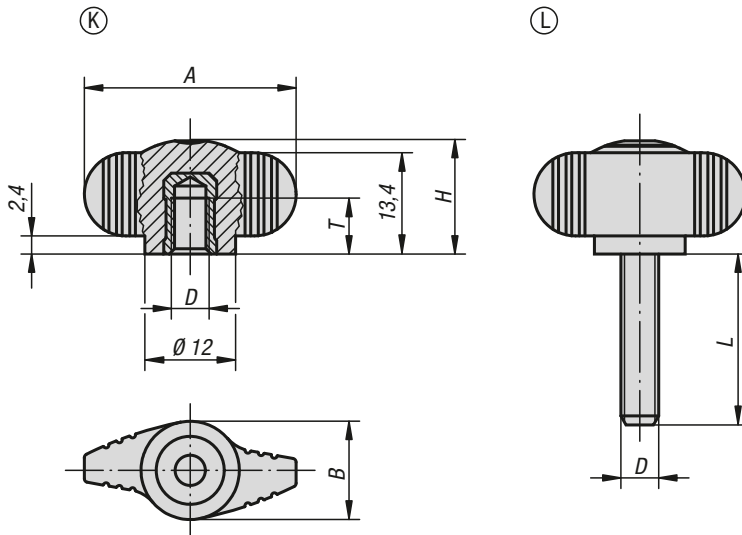
Version:
Screw blue passivated.

Sample order:
K0274.1100624X15

Application:
Sensitive electrical or electronic equipment, components and devices (ESD sensitive elements) may be damaged or destroyed by electrostatic discharges (ESD) in the immediate vicinity. Electrostatic discharges can come from people or through handling ESD sensitive components (e.g. during production, assembly, transport, storage etc). Electrically conductive products which conform to DIN EN 61340-5-1 are essential within electronic environments to prevent an electrostatic discharge. These products can be used for ESD applications or in ESD protection areas (EPA) in accordance with DIN EN 61340-5-1.

Safety:
These ESD products can also be used for devices, components and protection systems in areas with high risk of explosion. Use of these ESD products prevents the occurrence of electrostatic spark discharges, eliminating the potential ignition of gases and dusts which could lead to explosions in enclosed spaces. Manufacturers and operators must use and conform to ATEX directives for the protection of persons working in areas with high risk of explosion. These ESD products are certified by TÜV-Süd in relation to their electrical discharge capability.

Target groups:
Device manufacturers required to conform to ATEX product directive 2014/34/EU.
Operators required to conform to ATEX worker protection directive 1999/92/EC.



KIPP Wing grips "Miniwing" antistatic with internal thread

Order No.	A	B	D	H	T
K0274.1100624	28	13	M6	15	9

KIPP Wing grips "Miniwing" antistatic with external thread

Order No.	A	B	D	H	L
K0274.1100624X15	28	13	M6	15	15