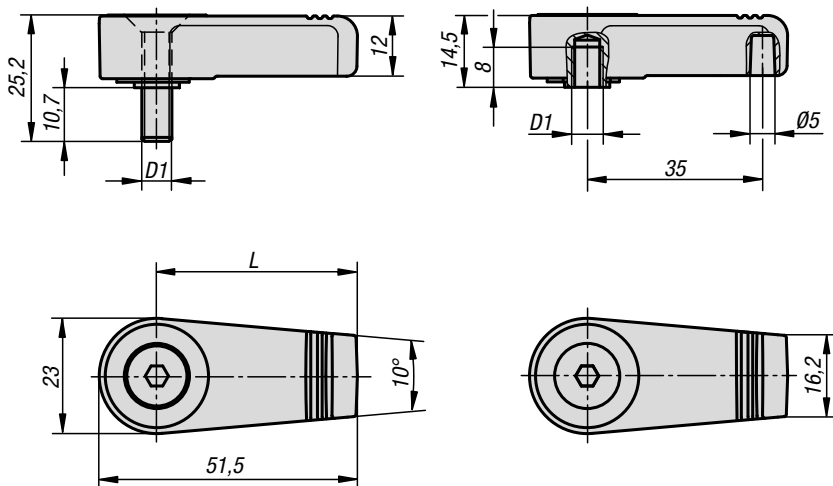


Stop latches

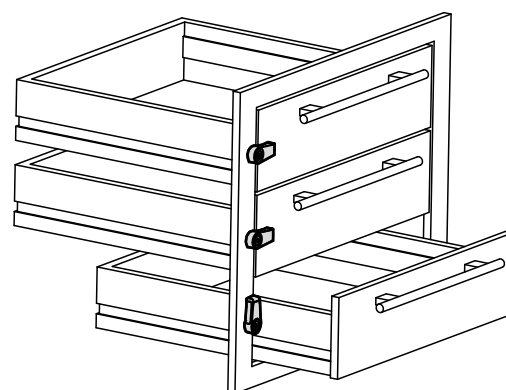


Material:
 Housing die-cast zinc, powder-coated.
 Pin steel.
 Washer plastic.
 Circlip spring steel.
 Countersunk screw steel grade 8.8.

Version:
 Housing black or red.
 Pin trivalent blue passivated.
 Circlip and countersunk screw, black.

Sample order:
 K0271.140061

Note:
 Engages every 90°.



KIPP Stop latch

Order No.	Main colour	Version	L	D1
K0271.140061	black	internal thread	40	M6
K0271.140062	red	internal thread	40	M6
K0271.140061X10	black	external thread	40	M6
K0271.140062X10	red	external thread	40	M6