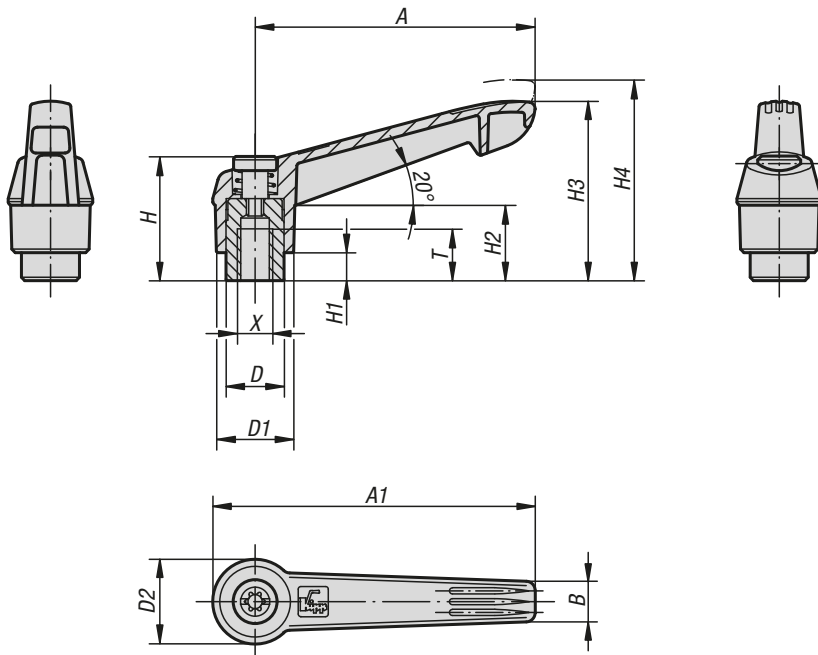


Clamping levers with plastic handle

internal thread, steel parts stainless steel



Material:
Handle fibreglass reinforced plastic with die-cast zinc toothed ring.
Steel parts stainless steel 1.4305.

Version:
Steel parts bright.

Sample order:
K0270.10486 (lever colour signal green)

Note:
Δ Add the desired grip colour here.

On request:
Other threads and special versions.
Dimension "H1" available in other lengths at extra charge.

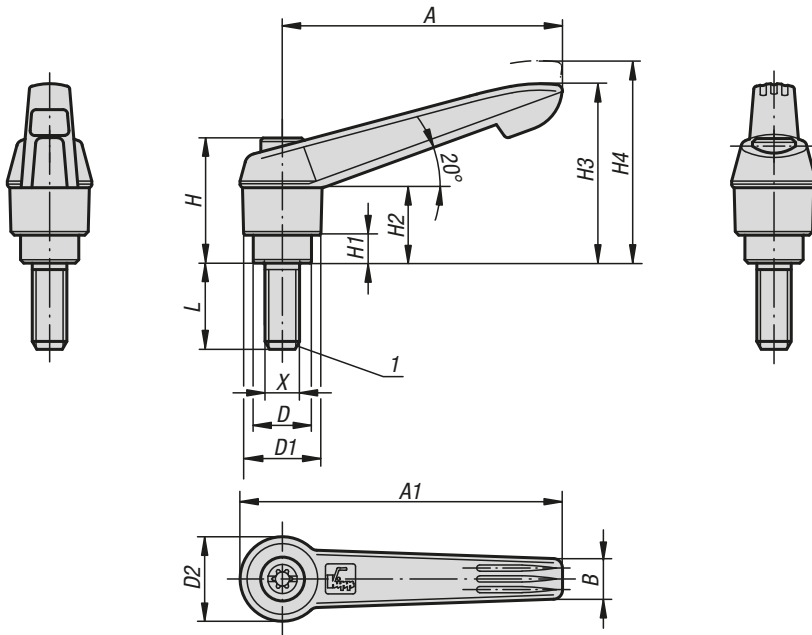


KIPP Clamping levers with plastic handle, internal thread, metal parts stainless steel

Order No.	X	A	A1	B	D	D1	D2	H	H1	H2	H3	H4	T	No. of teeth
K0270.104Δ	M4	40	47	7,5	10	13	14,5	24,5	4	15	30	33,5	9	16
K0270.105Δ	M5	40	47	7,5	10	13	14,5	24,5	4	15	30	33,5	9	16
K0270.106Δ	M6	40	47	7,5	10	13	14,5	24,5	4	15	30	33,5	9	16
K0270.206Δ	M6	65	75	9,5	13,5	18	19,5	28,5	6,5	17,5	41,5	45,5	12	20
K0270.208Δ	M8	65	75	9,5	13,5	18	19,5	28,5	6,5	17,5	41,5	45,5	12	20
K0270.308Δ	M8	80	91,5	11	16	21,5	23	37	10	24	53,5	58	14	22
K0270.310Δ	M10	80	91,5	11	16	21,5	23	37	10	24	53,5	58	14	22
K0270.410Δ	M10	95	109	13	19	25,5	27,5	43	10	26	61	66	17	24
K0270.412Δ	M12	95	109	13	19	25,5	27,5	43	10	26	61	66	17	24
K0270.512Δ	M12	110	126	15,5	23	30	32,5	49	12	33	72	77	23	26
K0270.516Δ	M16	110	126	15,5	23	30	32,5	49	12	33	72	77	23	26

Clamping levers with plastic handle

external thread, steel parts stainless steel



Material:

Handle fibreglass reinforced plastic with die-cast zinc toothed ring.
Steel parts stainless steel 1.4305.

Version:

Steel parts bright.

Sample order:

K0270.1051X20 (lever black grey; include length L)

Note:

Δ Add the desired grip colour here.
Where L ≥ 60 mm the thread length is always 60 mm.

On request:

Other threads, screw lengths and special versions.
Dimension "H1" available in other lengths at extra charge.

Drawing reference:

1) flat point DIN EN ISO 4753

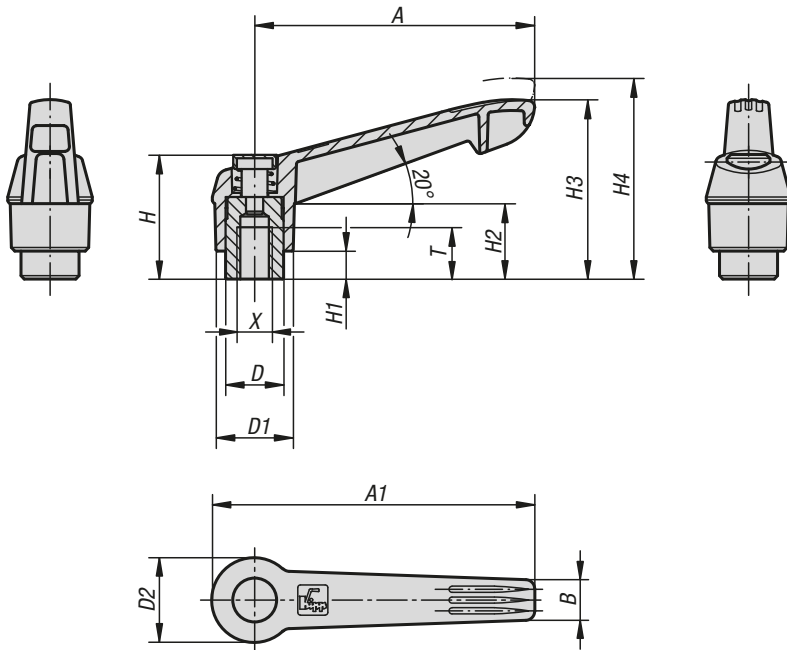


KIPP Clamping levers with plastic handle, external thread, metal parts stainless steel

Order No.	X	A	A1	B	D	D1	D2	H	H1	H2	H3	H4	No. of teeth	L
K0270.105ΔX	M5	40	47	7,5	10	13	14,5	24,5	4	15	30	33,5	16	10/15/20/25
K0270.106ΔX	M6	40	47	7,5	10	13	14,5	24,5	4	15	30	33,5	16	10/15/20/25/30/40/50
K0270.206ΔX	M6	65	75	9,5	13,5	18	19,5	28,5	6,5	17,5	41,5	45,5	20	15/20/25/30/40/50/60
K0270.208ΔX	M8	65	75	9,5	13,5	18	19,5	28,5	6,5	17,5	41,5	45,5	20	15/20/25/30/40/50/60
K0270.210ΔX	M10	65	75	9,5	13,5	18	19,5	28,5	6,5	17,5	41,5	45,5	20	20/25/30/40/50/60
K0270.308ΔX	M8	80	91,5	11	16	21,5	23	37	10	24	53,5	58	22	20/25/30/40/50/60
K0270.310ΔX	M10	80	91,5	11	16	21,5	23	37	10	24	53,5	58	22	20/25/30/40/50/60
K0270.412ΔX	M12	95	109	13	19	25,5	27,5	43	10	26	61	66	24	25/30/40/50/60
K0270.516ΔX	M16	110	126	15,5	23	30	32,5	49	12	33	72	77	26	30/40/50/60

Clamping levers with push button

internal thread, metal parts stainless-steel



Material:

Handle fibreglass reinforced plastic, toothed ring die-cast zinc. Metal parts stainless steel 1.4305. Push button plastic (POM).

Version:

Steel parts bright.

Sample order:

K0270.71104
(clamping lever black grey, push button traffic red)

Note:

Δ Enter the desired lever colour here.
The standard colours are:
Black grey clamping lever, traffic red push button.
Orange clamping lever, black grey push button.
Traffic red clamping lever, black grey push button.

On request:

Other threads and special versions.
Dimension "H1" available in other lengths at extra charge.

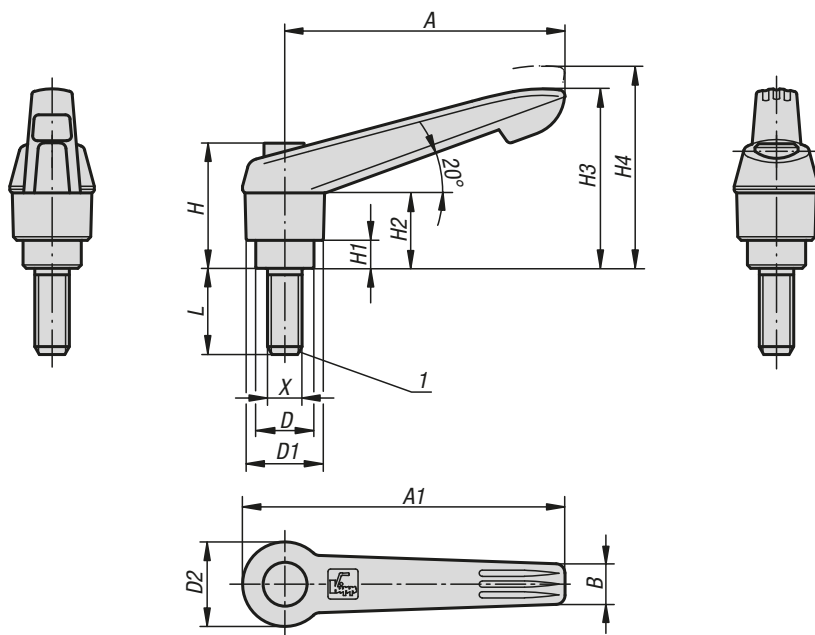


KIPP Clamping levers with push button, internal thread, metal parts stainless steel

Order No.	X	A	A1	B	D	D1	D2	H	H1	H2	H3	H4	T	No. of teeth
K0270.7Δ104	M4	40	47	7,5	10	13	14,5	25,5	4	15	30	33,5	9	16
K0270.7Δ105	M5	40	47	7,5	10	13	14,5	25,5	4	15	30	33,5	9	16
K0270.7Δ106	M6	40	47	7,5	10	13	14,5	25,5	4	15	30	33,5	9	16
K0270.7Δ206	M6	65	75	9,5	13,5	18	19,5	29,5	6,5	17,5	41,5	45,5	12	20
K0270.7Δ208	M8	65	75	9,5	13,5	18	19,5	29,5	6,5	17,5	41,5	45,5	12	20
K0270.7Δ308	M8	80	91,5	11	16	21,5	23	38,5	10	24	53,5	58	14	22
K0270.7Δ310	M10	80	91,5	11	16	21,5	23	38,5	10	24	53,5	58	14	22
K0270.7Δ410	M10	95	109	13	19	25,5	27,5	44,6	10	26	61	66	17	24
K0270.7Δ412	M12	95	109	13	19	25,5	27,5	44,6	10	26	61	66	17	24
K0270.7Δ512	M12	110	126	15,5	23	30	32,5	50,6	12	33	72	77	23	26
K0270.7Δ516	M16	110	126	15,5	23	30	32,5	50,6	12	33	72	77	23	26

Clamping levers with push button

external thread, metal parts stainless-steel



Material:

Handle fibreglass reinforced plastic, toothed ring die-cast zinc. Metal parts stainless steel 1.4305. Push button plastic (POM).

Version:

Steel parts bright.

Sample order:

K0270.71105X10
(Clamping lever black grey, push button traffic red. Include length L)

Note:

Δ Enter the desired lever colour here.
The standard colours are:
Black grey clamping lever, traffic red push button.
Orange clamping lever, black grey push button.
Traffic red clamping lever, black grey push button.

Where $L \geq 60$ mm the thread length is 60 mm.

On request:

Other threads, screw lengths and special versions.
Dimension "H1" available in other lengths at extra charge.

Drawing reference:

1) flat point DIN EN ISO 4753

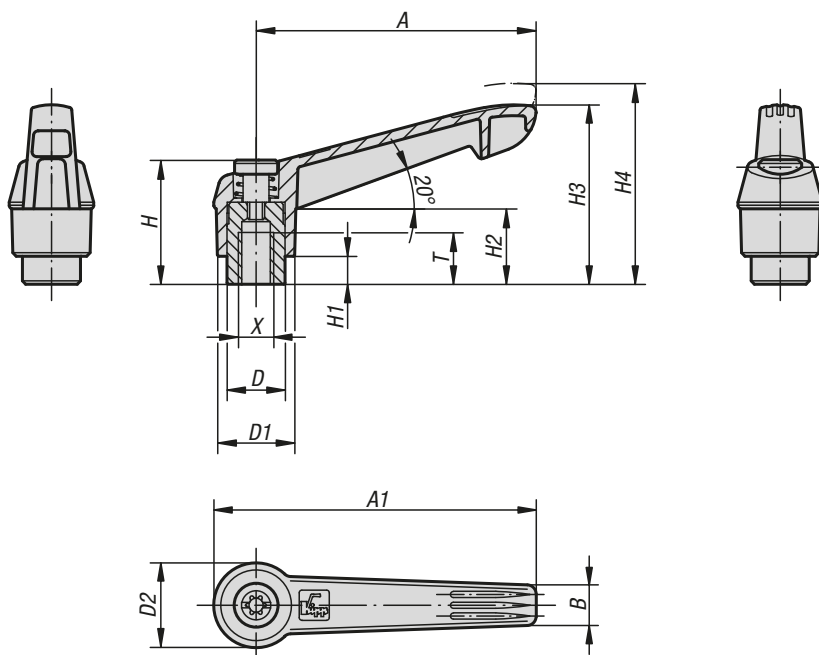


KIPP Clamping levers with push button, external thread, metal parts stainless steel

Order No.	X	A	A1	B	D	D1	D2	H	H1	H2	H3	H4	No. of teeth	L
K0270.7Δ105X	M5	40	47	7,5	10	13	14,5	25,5	4	15	30	33,5	16	10/15/20/25
K0270.7Δ106X	M6	40	47	7,5	10	13	14,5	25,5	4	15	30	33,5	16	10/15/20/25/30/40/50
K0270.7Δ206X	M6	65	75	9,5	13,5	18	19,5	29,5	6,5	17,5	41,5	45,5	20	15/20/25/30/40/50/60
K0270.7Δ208X	M8	65	75	9,5	13,5	18	19,5	29,5	6,5	17,5	41,5	45,5	20	15/20/25/30/40/50/60
K0270.7Δ210X	M10	65	75	9,5	13,5	18	19,5	29,5	6,5	17,5	41,5	45,5	20	20/25/30/40/50/60
K0270.7Δ308X	M8	80	91,5	11	16	21,5	23	38,5	10	24	53,5	58	22	20/25/30/40/50/60
K0270.7Δ310X	M10	80	91,5	11	16	21,5	23	38,5	10	24	53,5	58	22	20/25/30/40/50/60
K0270.7Δ412X	M12	95	109	13	19	25,5	27,5	44,6	10	26	61	66	24	25/30/40/50/60
K0270.7Δ516X	M16	110	126	15,5	23	30	32,5	50,6	12	33	72	77	26	30/40/50/60

Clamping levers antibacterial

internal thread, plastic grip, metal parts stainless steel



Material:

Handles slate grey reinforced plastic, toothed ring die-cast zinc.

Steel parts stainless steel 1.4305.

Version:

Stainless steel bright.

Sample order:

K0270.12206144

Application:

The antibacterial KIPP MEDI grip products are highly effective against a variety of hazardous microorganisms, such as bacteria, fungi and even multi-resistant bacteria (e.g. MRSA).

The plastic used incorporates micro-silver particles with an antimicrobial effect to ensure effective results throughout the entire product life cycle.

Function:

The growth of harmful micro-organisms on the product surface is effectively disrupted by means of silver ions, and the existing germs on MEDI grip products are consistently reduced (as tested and confirmed by an accredited testing laboratory).

During cleaning cycles the risk of infection through touching these products is significantly lower.

Advantages:

Resistant to humidity and cleaning products (during disinfection) with no toxic side effects.

Applications:

For installation on machines, equipment, plants and furnishings in areas with increased hygienic requirements (including hospitals, doctors' surgeries, rehabilitation centres and food production facilities), as well as for use in public areas or regularly frequented institutions (i.e. nursing homes or daycare centres).

lift to disengage

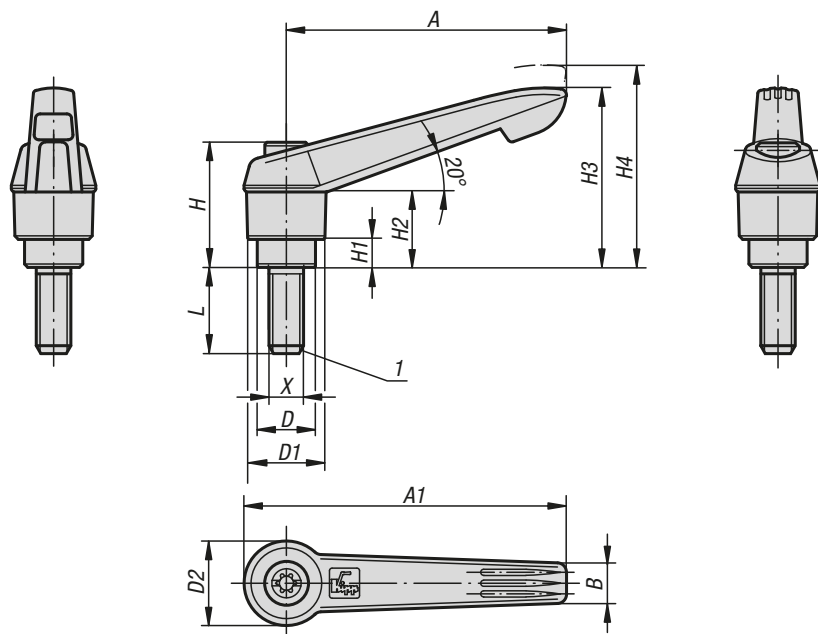


KIPP Clamping levers antibacterial, internal thread, plastic grip, metal parts stainless steel

Order No.	X	T	D	D1	D2	H	H1	H2	H3	H4	A	A1	B	No. of teeth
K0270.12206144	M6	12	13,5	18	19,5	28,5	6,5	17,5	41,5	45,5	65	75	9,5	20
K0270.12208144	M8	12	13,5	18	19,5	28,5	6,5	17,5	41,5	45,5	65	75	9,5	20

Clamping levers antibacterial

external thread, plastic grip, metal parts stainless steel



Material:

Handles slate grey reinforced plastic, toothed ring die-cast zinc. Steel parts stainless steel 1.4305.

Version:

Stainless steel bright.

Sample order:

K0270.12210144X20

Note:

Where $L \geq 60$ mm the thread length is always 60 mm.

Application:

The antibacterial KIPP MEDI grip products are highly effective against a variety of hazardous microorganisms, such as bacteria, fungi and even multi-resistant bacteria (e.g. MRSA). The plastic used incorporates micro-silver particles with an antimicrobial effect to ensure effective results throughout the entire product life cycle.

Function:

The growth of harmful micro-organisms on the product surface is effectively disrupted by means of silver ions, and the existing germs on MEDI grip products are consistently reduced (as tested and confirmed by an accredited testing laboratory). During cleaning cycles the risk of infection through touching these products is significantly lower.

Advantages:

Resistant to humidity and cleaning products (during disinfection) with no toxic side effects.

Applications:

For installation on machines, equipment, plants and furnishings in areas with increased hygienic requirements (including hospitals, doctors' surgeries, rehabilitation centres and food production facilities), as well as for use in public areas or regularly frequented institutions (i.e. nursing homes or daycare centres).

lift to disengage



KIPP Clamping levers antibacterial, external thread, plastic grip, metal parts stainless steel

Order No.	X	D	D1	D2	H	H1	H2	H3	H4	A	A1	B	No. of teeth	L
K0270.12206144X20	M6	13,5	18	19,5	28,5	6,5	17,5	41,5	45,5	65	75	9,5	20	20
K0270.12208144X20	M8	13,5	18	19,5	28,5	6,5	17,5	41,5	45,5	65	75	9,5	20	20
K0270.12210144X20	M10	13,5	18	19,5	28,5	6,5	17,5	41,5	45,5	65	75	9,5	20	20