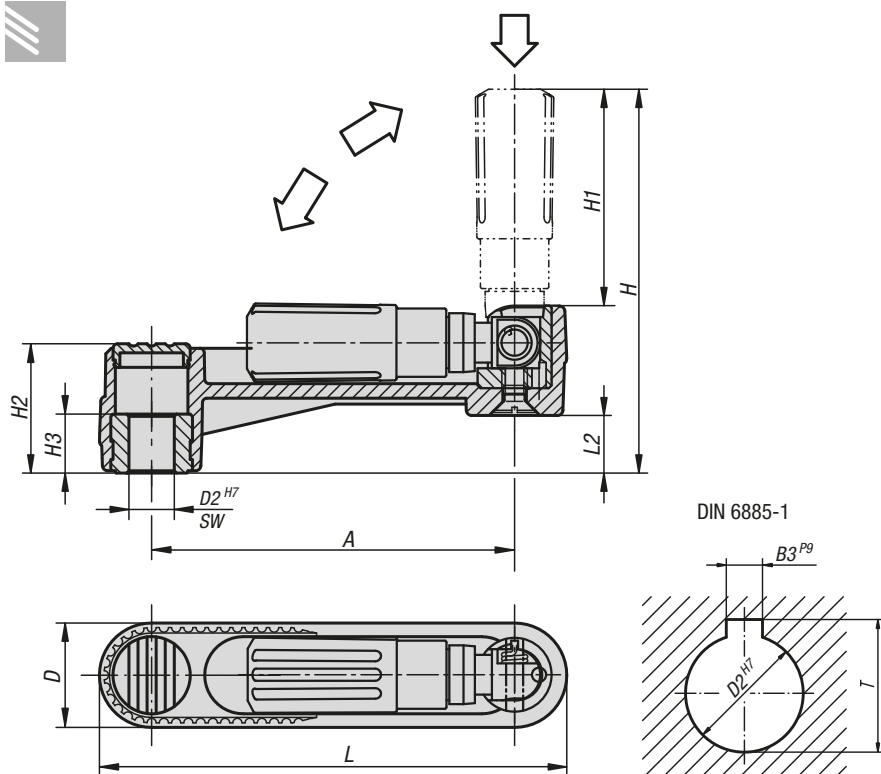


Crank handles

with safety grip



Material:
Arm and grip black grey thermoplastic.

Version:
Steel parts black oxidised.

Sample order:
K0268.1108

Note:
The hub cover is supplied loose.
The crank handles can be secured to the shaft by cross-pinning or by parallel key together with a DIN 6912 socket head screw and DIN 7349 washer.
Two actions must be made to bring the safety grip into an operating position:
- Swing the grip out until it stops (90°).
- Push the grip in until it locks.
The pushed-in position is the most comfortable for cranking. The grip swings back automatically after releasing.

KIPP Crank handles with safety grip

Order No.	Version 1	Version 2	A	D	D2	H	H1	H2	H3	L	L2
K0268.1108	reamed hole	without transverse hole	80	24	8	84,2	47,5	28,5	13	104	12,7
K0268.1110	reamed hole	without transverse hole	80	24	10	84,2	47,5	28,5	13	104	12,7
K0268.1210	reamed hole	without transverse hole	100	29	10	104,2	58,5	35,5	13	129	15,7
K0268.1212	reamed hole	without transverse hole	100	29	12	104,2	58,5	35,5	13	129	15,7
K0268.1312	reamed hole	without transverse hole	125	36	12	139	82	44	18,5	161	19,5
K0268.1314	reamed hole	without transverse hole	125	36	14	139	82	44	18,5	161	19,5

Order No.	Version 1	Version 2	A	B3	D	D2	H	H1	H2	H3	L	L2	T
K0268.110802	reamed hole with slot	without transverse hole	80	2	24	8	84,2	47,5	28,5	13	104	12,7	9
K0268.111003	reamed hole with slot	without transverse hole	80	3	24	10	84,2	47,5	28,5	13	104	12,7	11,4
K0268.121003	reamed hole with slot	without transverse hole	100	3	29	10	104,2	58,5	35,5	13	129	15,7	11,4
K0268.121204	reamed hole with slot	without transverse hole	100	4	29	12	104,2	58,5	35,5	13	129	15,7	13,8
K0268.131204	reamed hole with slot	without transverse hole	125	4	36	12	139	82	44	18,5	161	19,5	13,8
K0268.131405	reamed hole with slot	without transverse hole	125	5	36	14	139	82	44	18,5	161	19,5	16,3

Order No.	Version 1	Version 2	A	D	H	H1	H2	H3	L	L2	SW
K0268.2108	square socket	without transverse hole	80	24	84,2	47,5	28,5	13	104	12,7	8
K0268.2110	square socket	without transverse hole	80	24	84,2	47,5	28,5	13	104	12,7	10
K0268.2210	square socket	without transverse hole	100	29	104,2	58,5	35,5	13	129	15,7	10
K0268.2212	square socket	without transverse hole	100	29	104,2	58,5	35,5	13	129	15,7	12
K0268.2312	square socket	without transverse hole	125	36	139	82	44	18,5	161	19,5	12
K0268.2314	square socket	without transverse hole	125	36	139	82	44	18,5	161	19,5	14