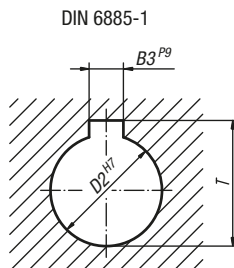
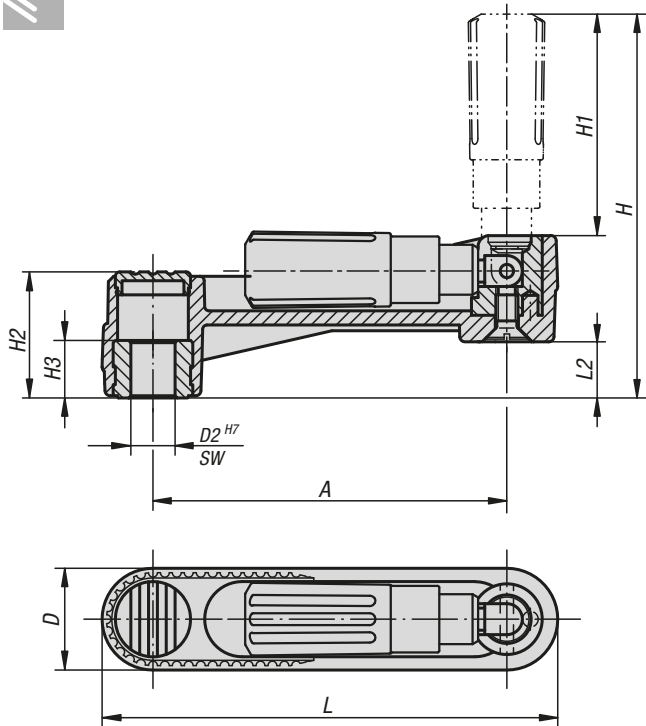


Crank handles

with fold-down grip



Material:
Black grey thermoplastic.

Version:
Steel parts black oxidised.

Sample order:
K0266.1108

Note:
The hub cap is supplied loose.
The crank handle can be secured to a shaft using a transverse pin or by parallel key connection together with a DIN 6912 socket head screw and a DIN 7349 washer.

KIPP Crank handles with fold-down grip

Order No.	Version 1	Version 2	A	D	D2	H	H1	H2	H3	L	L2
K0266.1108	reamed hole	without transverse hole	80	24	8	85,7	49	28,5	13	104	12,7
K0266.1110	reamed hole	without transverse hole	80	24	10	85,7	49	28,5	13	104	12,7
K0266.1210	reamed hole	without transverse hole	100	29	10	105,2	49	35,5	13	129	15,7
K0266.1212	reamed hole	without transverse hole	100	29	12	105,2	59,5	35,5	13	129	15,7
K0266.1312	reamed hole	without transverse hole	125	36	12	140	83	44	18,5	161	19,5
K0266.1314	reamed hole	without transverse hole	125	36	14	140	83	44	18,5	161	19,5

Order No.	Version 1	Version 2	A	B3	D	D2	H	H1	H2	H3	L	L2	T
K0266.110802	reamed hole with slot	without transverse hole	80	2	24	8	85,7	49	28,5	13	104	12,7	9
K0266.111003	reamed hole with slot	without transverse hole	80	3	24	10	85,7	49	28,5	13	104	12,7	11,4
K0266.121003	reamed hole with slot	without transverse hole	100	3	29	10	105,2	59,5	35,5	13	129	15,7	11,4
K0266.121204	reamed hole with slot	without transverse hole	100	4	29	12	105,2	59,5	35,5	13	129	15,7	13,8
K0266.131204	reamed hole with slot	without transverse hole	125	4	36	12	140	83	44	18,5	161	19,5	13,8
K0266.131405	reamed hole with slot	without transverse hole	125	5	36	14	140	83	44	18,5	161	19,5	16,3

Order No.	Version 1	Version 2	A	D	H	H1	H2	H3	L	L2	SW
K0266.2108	square socket	without transverse hole	80	24	85,7	49	28,5	13	104	12,7	8
K0266.2110	square socket	without transverse hole	80	24	85,7	49	28,5	13	104	12,7	10
K0266.2210	square socket	without transverse hole	100	29	105,2	59,5	35,5	13	129	15,7	10
K0266.2212	square socket	without transverse hole	100	29	105,2	59,5	35,5	13	129	15,7	12
K0266.2312	square socket	without transverse hole	125	36	140	83	44	18,5	161	19,5	12
K0266.2314	square socket	without transverse hole	125	36	140	83	44	18,5	161	19,5	14