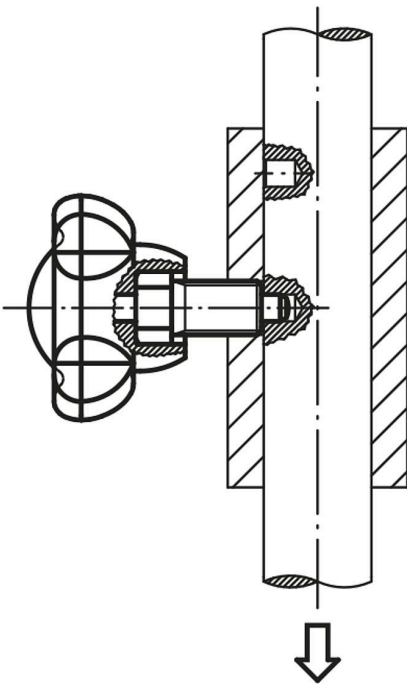


indexing plungers, steel with plastic five lobe grip

Item description/product images



Description

Product description:

Indexing plungers are used to prevent any change in locking position due to lateral forces. A new locking position can only be set after the pin has been manually disengaged.

Version:

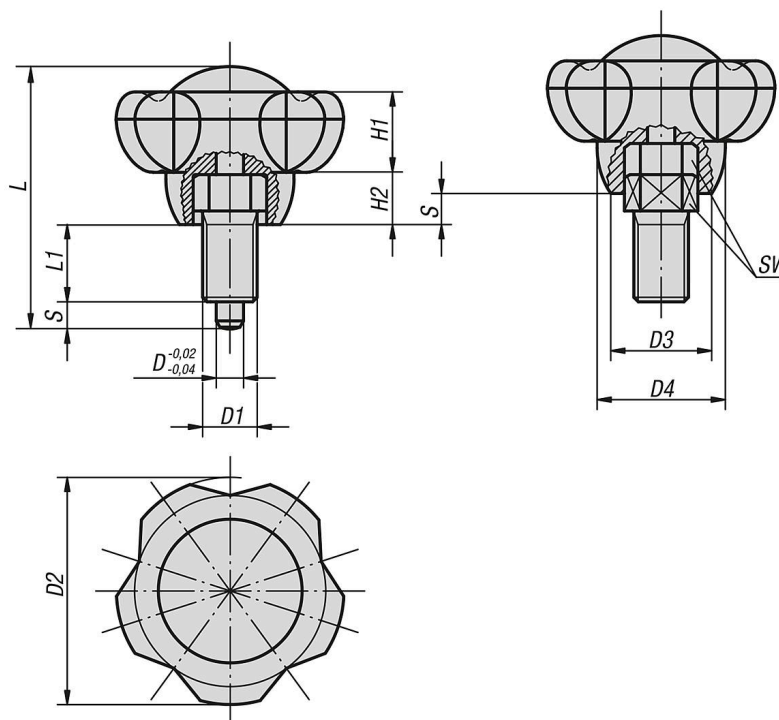
Threaded sleeve black oxidised.

Indexing pin hardened, ground and black oxidised.

Grip black-grey RAL7021.

indexing plungers, steel with plastic five lobe grip

Drawings



Overview of items

Indexing plungers with five lobe grip

Order No.	Size	Colour Cap	D	D1	D2	D3	D4	H1	H2	L	L1	Travel S	SW
K0245.1105	1	black grey RAL 7021	5	M10x1	50	22,2	28,2	17,8	11,5	52,8	13	5	13
K0245.11055	1	light grey RAL 7035	5	M10x1	50	22,2	28,2	17,8	11,5	52,8	13	5	13
K0245.11056	1	traffic red RAL 3020	5	M10x1	50	22,2	28,2	17,8	11,5	52,8	13	5	13
K0245.11057	1	colza yellow RAL 1021	5	M10x1	50	22,2	28,2	17,8	11,5	52,8	13	5	13
K0245.1206	2	black grey RAL 7021	6	M12x1,5	50	22,2	28,2	17,8	11,5	57,8	17	6	14
K0245.12065	2	light grey RAL 7035	6	M12x1,5	50	22,2	28,2	17,8	11,5	57,8	17	6	14
K0245.12066	2	traffic red RAL 3020	6	M12x1,5	50	22,2	28,2	17,8	11,5	57,8	17	6	14
K0245.12067	2	colza yellow RAL 1021	6	M12x1,5	50	22,2	28,2	17,8	11,5	57,8	17	6	14
K0245.1308	3	black grey RAL 7021	8	M16x1,5	63	28	35,5	22,5	14,5	74	22	8	19
K0245.13085	3	light grey RAL 7035	8	M16x1,5	63	28	35,5	22,5	14,5	74	22	8	19
K0245.13086	3	traffic red RAL 3020	8	M16x1,5	63	28	35,5	22,5	14,5	74	22	8	19
K0245.13087	3	colza yellow RAL 1021	8	M16x1,5	63	28	35,5	22,5	14,5	74	22	8	19
K0245.1410	4	black grey RAL 7021	10	M20x1,5	63	28	35,5	22,5	14,5	78	24	10	22
K0245.14105	4	light grey RAL 7035	10	M20x1,5	63	28	35,5	22,5	14,5	78	24	10	22
K0245.14106	4	traffic red RAL 3020	10	M20x1,5	63	28	35,5	22,5	14,5	78	24	10	22
K0245.14107	4	colza yellow RAL 1021	10	M20x1,5	63	28	35,5	22,5	14,5	78	24	10	22