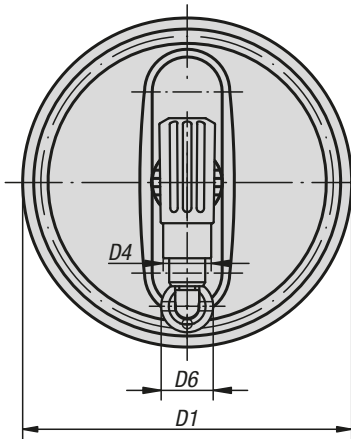


## Handwheels

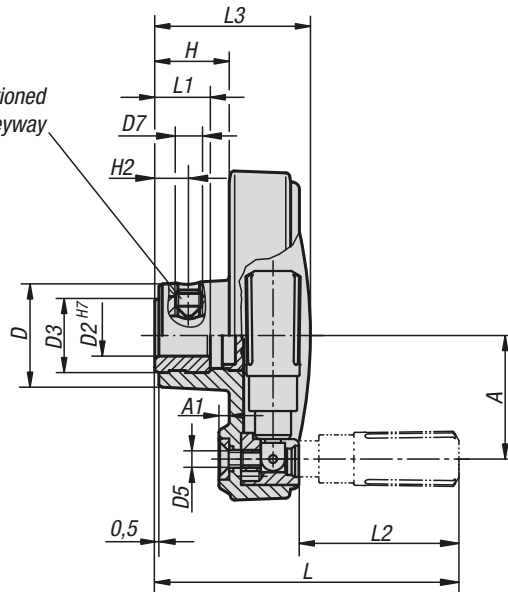
with fold-down grip



The transverse hole is positioned at 90° to the keyway



DIN 6885-1

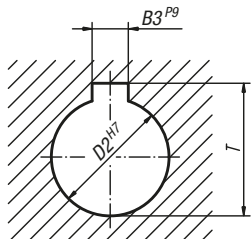


**Material:**  
Black grey thermoplastic.

**Version:**  
Steel parts black oxidised.

**Sample order:**  
K0258.108008

**Note:**  
The hub cover is supplied loose.  
The handwheels can be secured using a transverse pin or by parallel key connection together with a DIN 6912 socket head screw and a DIN 7349 washer.  
Versions with transverse bore are secured using the ISO 4027 (DIN 914) grub screw.  
For assembly example, see K0256.



### KIPP Handwheels with fold-down cylinder grip

Order No. reamed hole	Order No. reamed hole with slot	D	D1	D2	D3	D4	D5	D6	A	A1	H	L	L1	L2	L3	B3	T
K0258.108008	K0258.10800802	25	80	8H7	19	14	M4	13	30	2,5	17,6	74,6	13	40	36,7	-/2	-/9
K0258.108010	K0258.10801003	25	80	10H7	19	14	M4	13	30	2,5	17,6	74,6	13	40	36,7	-/3	-/11,4
K0258.108012	K0258.10801204	25	80	12H7	19	14	M4	13	30	2,5	17,6	74,6	13	40	36,7	-/4	-/13,8
K0258.210010	K0258.21001003	28	100	10H7	19	16	M5	16	38	3	20,1	90,1	13	49	43,5	-/3	-/11,4
K0258.210012	K0258.21001204	28	100	12H7	19	16	M5	16	38	3	20,1	90,1	13	49	43,5	-/4	-/13,8
K0258.312512	K0258.31251204	35	125	12H7	25	20	M6	20	47,5	4	23,3	108,8	18,5	59,5	52,1	-/4	-/13,8
K0258.312514	K0258.31251405	35	125	14H7	25	20	M6	20	47,5	4	23,3	108,8	18,5	59,5	52,1	-/5	-/16,3
K0258.312516	K0258.31251605	35	125	16H7	25	20	M6	20	47,5	4	23,3	108,8	18,5	59,5	52,1	-/5	-/18,3
K0258.416014	K0258.41601405	45	160	14H7	25	25	M8	26	62	5,6	28	143,5	18,5	83	63,8	-/5	-/16,3
K0258.416016	K0258.41601605	45	160	16H7	25	25	M8	26	62	5,6	28	143,5	18,5	83	63,8	-/5	-/18,3

### KIPP Handwheels with fold-down grip, with transverse bore

Order No. reamed hole	Order No. reamed hole with slot	D	D1	D2	D3	D4	D5	D6	D7	A	A1	H	H2	L	L1	L2	L3	B3	T
K0258.1080086	K0258.108008026	25	80	8H7	19	14	M4	13	M6	30	2,5	17,6	7,5	74,6	13	40	36,7	-/2	-/9
K0258.1080106	K0258.108010036	25	80	10H7	19	14	M4	13	M6	30	2,5	17,6	7,5	74,6	13	40	36,7	-/3	-/11,4
K0258.1080126	K0258.108012046	25	80	12H7	19	14	M4	13	M6	30	2,5	17,6	7,5	74,6	13	40	36,7	-/4	-/13,8
K0258.2100106	K0258.210010036	28	100	10H7	19	16	M5	16	M6	38	3	20,1	7,5	90,1	13	49	43,5	-/3	-/11,4
K0258.2100126	K0258.210012046	28	100	12H7	19	16	M5	16	M6	38	3	20,1	7,5	90,1	13	49	43,5	-/4	-/13,8
K0258.3125126	K0258.312512046	35	125	12H7	25	20	M6	20	M6	47,5	4	23,3	7,5	108,8	18,5	59,5	52,1	-/4	-/13,8
K0258.3125146	K0258.312514056	35	125	14H7	25	20	M6	20	M6	47,5	4	23,3	7,5	108,8	18,5	59,5	52,1	-/5	-/16,3
K0258.3125166	K0258.312516056	35	125	16H7	25	20	M6	20	M6	47,5	4	23,3	7,5	108,8	18,5	59,5	52,1	-/5	-/18,3
K0258.4160146	K0258.416014056	45	160	14H7	25	25	M8	26	M6	62	5,6	28	7,5	143,5	18,5	83	63,8	-/5	-/16,3
K0258.4160166	K0258.416016056	45	160	16H7	25	25	M8	26	M6	62	5,6	28	7,5	143,5	18,5	83	63,8	-/5	-/18,3