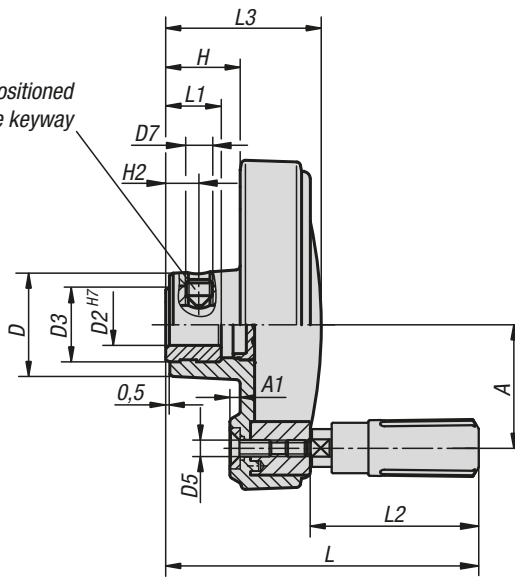
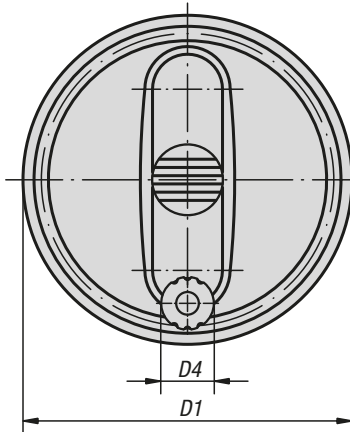


Handwheels

with revolving grip



The transverse hole is positioned at 90° to the keyway



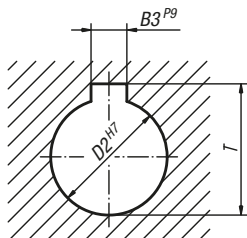
Material:
Black grey thermoplastic.

Version:
Steel parts black oxidised.

Sample order:
K0257.108008

Note:
The hub cover and the revolving cylinder grip are supplied unassembled. To assemble, screw the grip into the tapped hole.
The handwheels can be secured using a transverse pin or by parallel key connection together with a DIN 6912 socket head screw and a DIN 7349 washer. Versions with transverse bore are secured using the ISO 4027 (DIN 914) grub screw.

DIN 6885-1



KIPP Handwheels with revolving cylinder grip

Order No. reamed hole	Order No. reamed hole with slot	D	D1	D2	D3	D4	D5	A	A1	H	L	L1	L2	L3	B3	T
K0257.108008	K0257.10800802	25	80	8H7	19	14	M4	30	2,5	17,6	74,6	13	40	36,7	-/2	-/9
K0257.108010	K0257.10801003	25	80	10H7	19	14	M4	30	2,5	17,6	74,6	13	40	36,7	-/3	-/11,4
K0257.108012	K0257.10801204	25	80	12H7	19	14	M4	30	2,5	17,6	74,6	13	40	36,7	-/4	-/13,8
K0257.210010	K0257.21001003	28	100	10H7	19	16	M5	38	3	20,1	90,2	13	49,1	43,5	-/3	-/11,4
K0257.210012	K0257.21001204	28	100	12H7	19	16	M5	38	3	20,1	90,2	13	49,1	43,5	-/4	-/13,8
K0257.312512	K0257.31251204	35	125	12H7	25	20	M6	47,5	4	23,3	110,7	18,5	61,4	52,1	-/4	-/13,8
K0257.312514	K0257.31251405	35	125	14H7	25	20	M6	47,5	4	23,3	110,7	18,5	61,4	52,1	-/5	-/16,3
K0257.312516	K0257.31251605	35	125	16H7	25	20	M6	47,5	4	23,3	110,7	18,5	61,4	52,1	-/5	-/18,3
K0257.416014	K0257.41601405	45	160	14H7	25	25	M8	62	5,6	28	143	18,5	82,5	63,8	-/5	-/16,3
K0257.416016	K0257.41601605	45	160	16H7	25	25	M8	62	5,6	28	143	18,5	82,5	63,8	-/5	-/18,3

KIPP Handwheels with revolving cylinder grip with transverse bore

Order No. reamed hole	Order No. reamed hole with slot	D	D1	D2	D3	D4	D5	D7	A	A1	H	H2	L	L1	L2	L3	B3	T
K0257.1080086	K0257.108008026	25	80	8H7	19	14	M4	M6	30	2,5	17,6	7,5	74,6	13	40	36,7	-/2	-/9
K0257.1080106	K0257.108010036	25	80	10H7	19	14	M4	M6	30	2,5	17,6	7,5	74,6	13	40	36,7	-/3	-/11,4
K0257.1080126	K0257.108012046	25	80	12H7	19	14	M4	M6	30	2,5	17,6	7,5	74,6	13	40	36,7	-/4	-/13,8
K0257.2100106	K0257.210010036	28	100	10H7	19	16	M5	M6	38	3	20,1	7,5	90,2	13	49,1	43,5	-/3	-/11,4
K0257.2100126	K0257.210012046	28	100	12H7	19	16	M5	M6	38	3	20,1	7,5	90,2	13	49,1	43,5	-/4	-/13,8
K0257.3125126	K0257.312512046	35	125	12H7	25	20	M6	M6	47,5	4	23,3	7,5	110,7	18,5	61,4	52,1	-/4	-/13,8
K0257.3125146	K0257.312514056	35	125	14H7	25	20	M6	M6	47,5	4	23,3	7,5	110,7	18,5	61,4	52,1	-/5	-/16,3
K0257.3125166	K0257.312516056	35	125	16H7	25	20	M6	M6	47,5	4	23,3	7,5	110,7	18,5	61,4	52,1	-/5	-/18,3
K0257.4160146	K0257.416014056	45	160	14H7	25	25	M8	M6	62	5,6	28	7,5	143	18,5	82,5	63,8	-/5	-/16,3
K0257.4160166	K0257.416016056	45	160	16H7	25	25	M8	M6	62	5,6	28	7,5	143	18,5	82,5	63,8	-/5	-/18,3