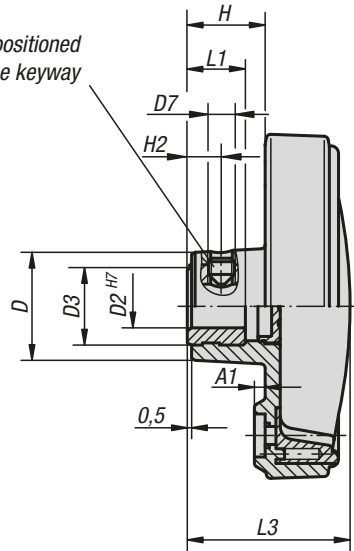
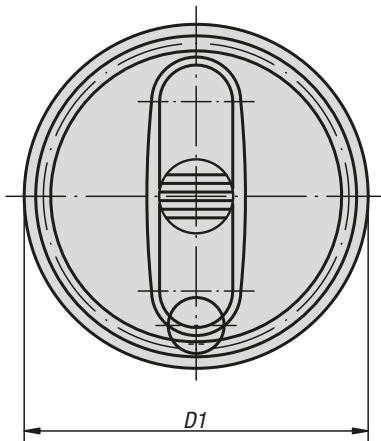


Handwheels



The transverse hole is positioned at 90° to the keyway



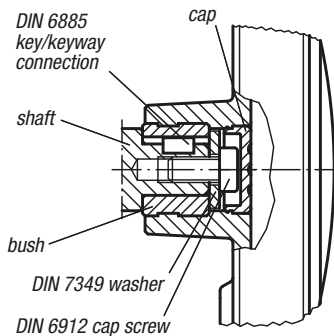
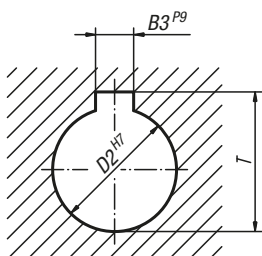
Material:
Black grey thermoplastic.

Version:
Steel parts black oxidised.

Sample order:
K0256.108008

Note:
The hub cap is supplied loose.
The handwheels can be secured using a transverse pin or by parallel key connection together with a DIN 6912 socket head screw and a DIN 7349 washer.
Versions with transverse bore are fastened using the ISO 4027 (DIN 914) grub screws.

DIN 6885-1



KIPP Handwheels

Order No. reamed hole	Order No. reamed hole with slot	D	D1	D2	D3	A1	H	L1	L3	B3	T
K0256.108008	K0256.10800802	25	80	8H7	19	2,5	17,5	13	37,5	-/2	-/9
K0256.108010	K0256.10801003	25	80	10H7	19	2,5	17,5	13	37,5	-/3	-/11,4
K0256.108012	K0256.10801204	25	80	12H7	19	2,5	17,5	13	37,5	-/4	-/13,8
K0256.210010	K0256.21001003	28	100	10H7	19	3	20	13	44	-/3	-/11,4
K0256.210012	K0256.21001204	28	100	12H7	19	3	20	13	44	-/4	-/13,8
K0256.312512	K0256.31251204	35	125	12H7	25	4	23,5	18,5	53	-/4	-/13,8
K0256.312514	K0256.31251405	35	125	14H7	25	4	23,5	18,5	53	-/5	-/16,3
K0256.312516	K0256.31251605	35	125	16H7	25	4	23,5	18,5	53	-/5	-/18,3
K0256.416014	K0256.41601405	45	160	14H7	25	5,6	28	18,5	64,5	-/5	-/16,3
K0256.416016	K0256.41601605	45	160	16H7	25	5,6	28	18,5	64,5	-/5	-/18,3

KIPP Handwheels with transverse bore

Order No. reamed hole	Order No. reamed hole with slot	D	D1	D2	D3	D7	A1	H	H2	L1	L3	B3	T
K0256.1080086	K0256.108008026	25	80	8H7	19	M6	2,5	17,5	7,5	13	37,5	-/2	-/9
K0256.1080106	K0256.108010036	25	80	10H7	19	M6	2,5	17,5	7,5	13	37,5	-/3	-/11,4
K0256.1080126	K0256.108012046	25	80	12H7	19	M6	2,5	17,5	7,5	13	37,5	-/4	-/13,8
K0256.2100106	K0256.210010036	28	100	10H7	19	M6	3	20	7,5	13	44	-/3	-/11,4
K0256.2100126	K0256.210012046	28	100	12H7	19	M6	3	20	7,5	13	44	-/4	-/13,8
K0256.3125126	K0256.312512046	35	125	12H7	25	M6	4	23,5	7,5	18,5	53	-/4	-/13,8
K0256.3125146	K0256.312514056	35	125	14H7	25	M6	4	23,5	7,5	18,5	53	-/5	-/16,3
K0256.3125166	K0256.312516056	35	125	16H7	25	M6	4	23,5	7,5	18,5	53	-/5	-/18,3
K0256.4160146	K0256.416014056	45	160	14H7	25	M6	5,6	28	7,5	18,5	64,5	-/5	-/16,3
K0256.4160166	K0256.416016056	45	160	16H7	25	M6	5,6	28	7,5	18,5	64,5	-/5	-/18,3