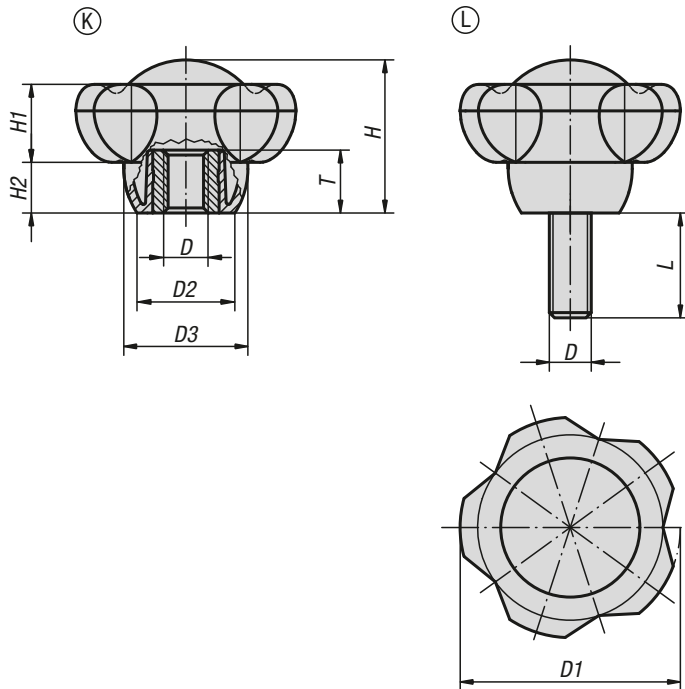


## Five lobe grips



**Material:**

Black thermoplastic.

Bush and screw 5.8 steel or 1.4305 stainless steel.

**Version:**

Steel trivalent blue passivated, stainless steel bright.

**Sample order:**

K0255.50106X30

(cap colour traffic red; include length L)

**Note:**

The screw lengths 15, 35 and 45 are not available in stainless steel.

Δ Add the desired cap colour here. No colour code is required for black grey caps.



### KIPP Five lobe grips with internal thread

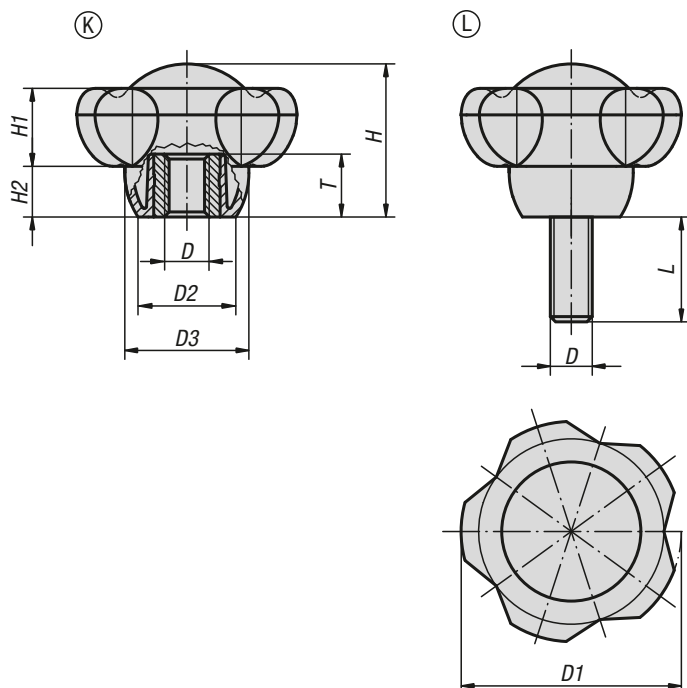
Order No. steel	Order No. stainless steel	Form	D	D1	D2	D3	H	H1	H2	T
K0255.5008Δ	K0255.50081Δ	K	M8	50	22,2	28,2	34,8	17,8	11,5	14
K0255.5010Δ	K0255.50101Δ	K	M10	50	22,2	28,2	34,8	17,8	11,5	14
K0255.5012Δ	K0255.50121Δ	K	M12	50	22,2	28,2	34,8	17,8	11,5	18
K0255.6310Δ	K0255.63101Δ	K	M10	63	28	35,5	44	22,5	14,5	14
K0255.6312Δ	K0255.63121Δ	K	M12	63	28	35,5	44	22,5	14,5	18
K0255.6316Δ	-	K	M16	63	28	35,5	44	22,5	14,5	18

### KIPP Five lobe grips with external thread

Order No. steel	Order No. stainless steel	Form	D	D1	D2	D3	H	H1	H2	L
K0255.5010ΔX	K0255.50101ΔX	L	M10	50	22,2	28,2	34,8	17,8	11,5	15/20/25/30/35/40/45/50/60
K0255.5012ΔX	-	L	M12	50	22,2	28,2	34,8	17,8	11,5	15/20/25/30/35/40/45/50/60
K0255.6310ΔX	K0255.63101ΔX	L	M10	63	28	35,5	44	22,5	14,5	20/25/30/35/40/45/50/60
K0255.6312ΔX	-	L	M12	63	28	35,5	44	22,5	14,5	20/25/30/35/40/45/50/60

## Five lobe grips antibacterial

metal parts stainless steel



**Material:**

Thermoplastic, slate grey.  
Bush and screw stainless steel 1.4305.

**Version:**

Stainless steel bright.

**Sample order:**

K0255.1263101144X20

**Application:**

The antibacterial KIPP MEDI grip products are highly effective against a variety of hazardous microorganisms, such as bacteria, fungi and even multi-resistant bacteria (e.g. MRSA). The plastic used incorporates micro-silver particles with an antimicrobial effect to ensure effective results throughout the entire product life cycle.

**Function:**

The growth of harmful micro-organisms on the product surface is effectively disrupted by means of silver ions, and the existing germs on MEDI grip products are consistently reduced (as tested and confirmed by an accredited testing laboratory). During cleaning cycles the risk of infection through touching these products is significantly lower.

**Advantages:**

Resistant to humidity and cleaning products (during disinfection) with no toxic side effects.

**Applications:**

For installation on machines, equipment, plants and furnishings in areas with increased hygienic requirements (including hospitals, doctors' surgeries, rehabilitation centres and food production facilities), as well as for use in public areas or regularly frequented institutions (i.e. nursing homes or daycare centres).

### KIPP Five lobe grips antibacterial, metal parts stainless steel, internal thread

Order No.	Form	D	D1	D2	D3	H	H1	H2	T
K0255.1263101144	K	M10	63	28	35,5	44	22,5	14,5	14

### KIPP Five lobe grips antibacterial, metal parts stainless steel, external thread

Order No.	Form	D	D1	D2	D3	H	H1	H2	L
K0255.1263101144X20	L	M10	63	28	35,5	44	22,5	14,5	20