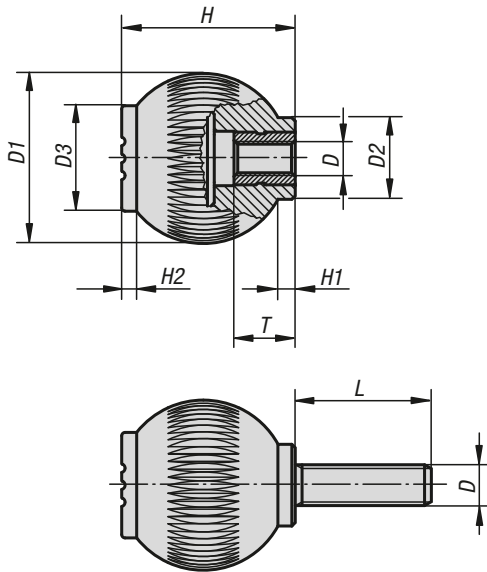


Spherical knobs



Material:

Black thermoplastic.

Bush and screw 5.8 steel or 1.4305 stainless steel.

Version:

Steel trivalent blue passivated, stainless steel bright.



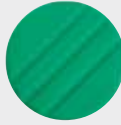


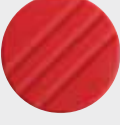

Sample order:

K0253.1066X15 (cap colour traffic red; include length L.)

Note:

Δ Add the desired cap colour here.

No colour code is required for black grey caps.

black grey  RAL 7021	pure orange Δ = 1  RAL 2004	signal green Δ = 2  RAL 6032	traffic blue Δ = 3  RAL 5017
light grey Δ = 5  RAL 7035	traffic red Δ = 6  RAL 3020	colza yellow Δ = 7  RAL 1021	

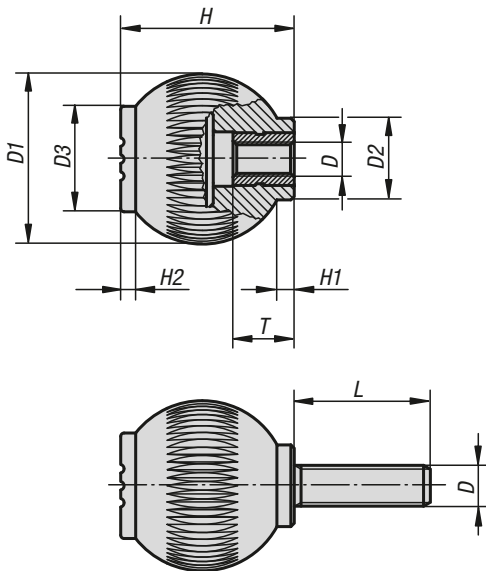
KIPP Spherical knobs with internal thread

Order No. steel	Order No. stainless steel	D	D1	D2	D3	H	H1	H2	T
K0253.106Δ	K0253.0106Δ	M6	25	12	17	25	3	2	10
K0253.208Δ	K0253.0208Δ	M8	32	15,5	19	33	3,5	2,6	14
K0253.310Δ	K0253.0310Δ	M10	40	19	23	41	4	3	14
K0253.410Δ	K0253.0410Δ	M10	50	24	31	51	5,5	4,5	14
K0253.412Δ	K0253.0412Δ	M12	50	24	31	51	5,5	4,5	18

KIPP Spherical knobs with external thread

Order No. steel	Order No. stainless steel	D	D1	D2	D3	H	H1	H2	L
K0253.106ΔX	K0253.0106ΔX	M6	25	12	17	25	3	2	15/20/25/30
K0253.208ΔX	K0253.0208ΔX	M8	32	15,5	19	33	3,5	2,6	20/25/30/40
K0253.310ΔX	K0253.0310ΔX	M10	40	19	23	41	4	3	20/30/40
K0253.410ΔX	K0253.0410ΔX	M10	50	24	31	51	5,5	4,5	20/30/40
K0253.412ΔX	K0253.0412ΔX	M12	50	24	31	51	5,5	4,5	20/30/40

Spherical knobs biopolymer



Material:

Biopolymer, beech.
Bush or threaded pin steel 5.8

Version:

Bush and screw trivalent blue passivated.
Natural beech with beech fibres or coloured black grey.

Sample order:

K0253.10106143X15

Advantages:

This biopolymer is manufactured entirely from renewable raw materials (oil free).
Conservation of finite fossil resources.
The wood fibres originate 100% from local, sustainably managed forests in Germany.

Features:

Excellent mechanical stability (certified with a minimum of 2x safety factor).
Biopolymer is suitable for recycling (comparable to thermoplastics).
Suitable for outdoor use (not biodegradable).
Excellent resistance to strong acids and lyes.
Short-term resistance to alcohol, fuel, mineral oil and grease.

KIPP Spherical knobs biopolymer with internal thread

Order No.	Main colour	D	D1	D2	D3	H	H1	H2	T
K0253.10106143	natural beech	M6	25	12	17	25	3	2	10
K0253.10208143	natural beech	M8	32	15,5	19	33	3,5	2,6	14
K0253.1010690	black grey RAL 7021	M6	25	12	17	25	3	2	10
K0253.1020890	black grey RAL 7021	M8	32	15,5	19	33	3,5	2,6	14

KIPP Spherical knobs biopolymer with external thread

Order No.	Main colour	D	D1	D2	D3	H	H1	H2	L
K0253.10106143X15	natural beech	M6	25	12	17	25	3	2	15
K0253.10208143X20	natural beech	M8	32	15,5	19	33	3,5	2,6	20
K0253.1010690X15	black grey RAL 7021	M6	25	12	17	25	3	2	15
K0253.1020890X20	black grey RAL 7021	M8	32	15,5	19	33	3,5	2,6	20