

## Clamping levers ECO

internal thread



**Material:**

Handle and insert made from reinforced plastic.  
Bush brass or steel.

**Version:**

Steel trivalent blue passivated.

**Sample order:**

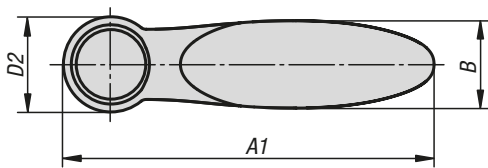
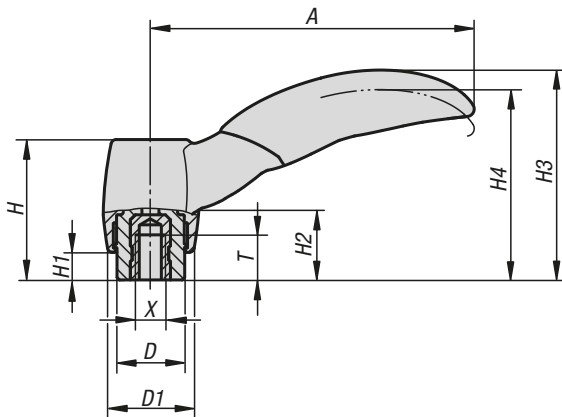
K0252.1041

**Note:**

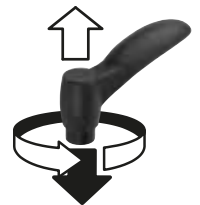
Standard colour is black grey RAL 7021.

**On request:**

Other female threads, colours and special versions.



press to  
disengage

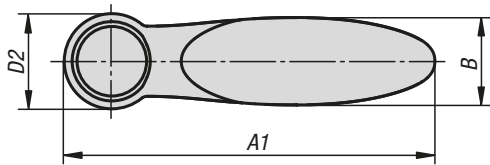
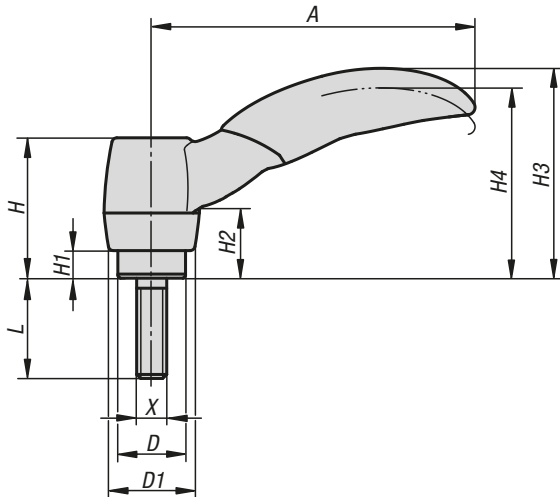


### KIPP Clamping levers ECO internal thread

Order No.	Component material	X	T	D	D1	D2	H	H1	H2	H3	H4	A	A1	B	No. of teeth
K0252.1041	brass	M4	6	10	12,6	14,1	21,7	5	11,3	32	29,1	47,9	55	13	12
K0252.1051	brass	M5	6	10	12,6	14,1	21,7	5	11,3	32	29,1	47,9	55	13	12
K0252.2051	brass	M5	7,5	13,5	17	19	28	5,5	14	41,9	38	64,5	74	17,5	12
K0252.2061	brass	M6	9	13,5	17	19	28	5,5	14	41,9	38	64,5	74	17,5	12
K0252.2081	brass	M8	9	13,5	17	19	28	5,5	14	41,9	38	64,5	74	17,5	12
K0252.3081	steel	M8	12	17	20,4	23,9	40,7	10	23,1	58,1	53,3	81,1	93	22	12
K0252.3101	steel	M10	12	17	20,4	23,9	40,7	10	23,1	58,1	53,3	81,1	93	22	12

## Clamping levers ECO

external thread



**Material:**

Handle and insert reinforced plastic.  
Screw steel 5.8.

**Version:**

Steel trivalent blue passivated.

**Sample order:**

K0252.1041X10  
(include length L)

**Note:**

Standard colour is black grey RAL 7021.

Where  $L \geq 60$  mm the thread length is always 60 mm.

**On request:**

Other external threads, colours and special versions.

press to  
disengage



### KIPP Clamping levers ECO external thread

Order No.	X	D	D1	D2	H	H1	H2	H3	H4	A	A1	B	No. of teeth	L
K0252.1041X	M4	10	12,6	14,1	21,7	5	11,3	32	29,1	47,9	55	13	12	10/15/20
K0252.1051X	M5	10	12,6	14,1	21,7	5	11,3	32	29,1	47,9	55	13	12	10/15/20/25
K0252.2051X	M5	13,5	17	19	28	5,5	14	41,9	38	64,5	74	17,5	12	10/15/20/25/30/40
K0252.2061X	M6	13,5	17	19	28	5,5	14	41,9	38	64,5	74	17,5	12	10/15/20/25/30/40
K0252.2081X	M8	13,5	17	19	28	5,5	14	41,9	38	64,5	74	17,5	12	10/15/20/25/30/40
K0252.3081X	M8	17	20,4	23,9	40,7	10	23,1	58,1	53,3	81,1	93	22	12	20/25/30/40/50/60
K0252.3101X	M10	17	20,4	23,9	40,7	10	23,1	58,1	53,3	81,1	93	22	12	20/25/30/40/50/60