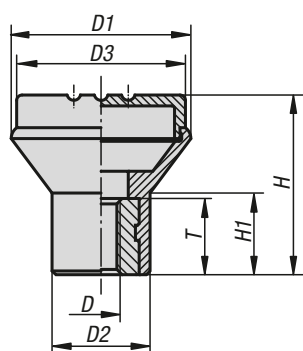


Mushroom knobs

internal thread



Material:

Black thermoplastic.

Bush grade 5.8 steel or 1.4305 stainless steel.

Version:

Steel trivalent blue passivated, stainless steel bright.



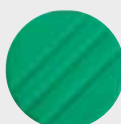




Sample order:

K0251.046 (cap colour traffic red.)

Note:

Δ Add the desired cap colour here.

No colour code is required for black grey caps.

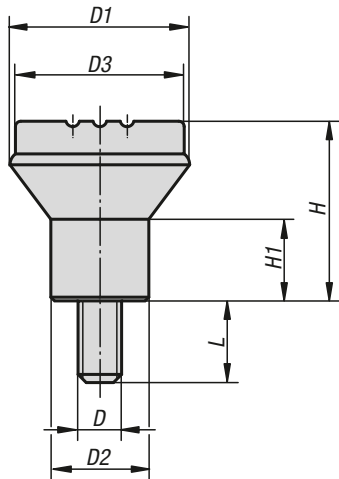
black grey  RAL 7021	pure orange Δ = 1  RAL 2004	signal green Δ = 2  RAL 6032	traffic blue Δ = 3  RAL 5017
light grey Δ = 5  RAL 7035	traffic red Δ = 6  RAL 3020	colza yellow Δ = 7  RAL 1021	

KIPP Mushroom knobs with internal thread

Order No. steel	Order No. stainless steel	D	D1	D2	D3	H	H1	T
K0251.04Δ	K0251.004Δ	M4	21	12	19	21	10	10
K0251.05Δ	K0251.005Δ	M5	21	12	19	21	10	10
K0251.06Δ	K0251.006Δ	M6	25	14	23	25	12	10
K0251.08Δ	K0251.008Δ	M8	33	19	31	33	15	14

Mushroom knobs

external thread



Material:

Black thermoplastic.

Screw grade 5.8 steel or 1.4305 stainless steel.

Version:

Steel trivalent blue passivated, stainless steel bright.






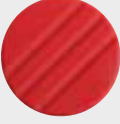

Sample order:

K0251.046X10 (cap colour traffic red; include length L)

Note:

Δ Add the desired cap colour here.

No colour code is required for black grey caps.

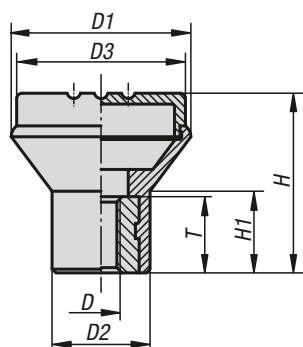
black grey  RAL 7021	pure orange Δ = 1  RAL 2004	signal green Δ = 2  RAL 6032	traffic blue Δ = 3  RAL 5017
light grey Δ = 5  RAL 7035	traffic red Δ = 6  RAL 3020	colza yellow Δ = 7  RAL 1021	

KIPP Mushroom knobs with external thread

Order No. steel	Order No. stainless steel	D	D1	D2	D3	H	H1	L
K0251.04ΔX	K0251.004ΔX	M4	21	12	19	21	10	10
K0251.05ΔX	K0251.005ΔX	M5	21	12	19	21	10	10
K0251.06ΔX	K0251.006ΔX	M6	25	14	23	25	12	15
K0251.08ΔX	K0251.008ΔX	M8	33	19	31	33	15	15

Mushroom knobs biopolymer

internal thread



Material:

Biopolymer, beech.
Bush steel 5.8

Version:

Bush trivalent blue passivated.
Natural beech with beech fibres or coloured black grey.

Sample order:

K0251.1005143

Advantages:

This biopolymer is manufactured entirely from renewable raw materials (oil free).
Conservation of finite fossil resources.
The wood fibres originate 100% from local, sustainably managed forests in Germany.

Features:

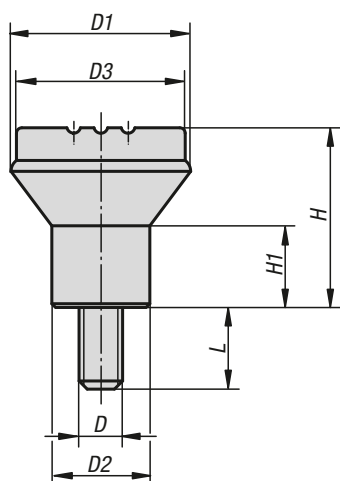
Excellent mechanical stability (certified with a minimum of 2x safety factor).
Biopolymer is suitable for recycling (comparable to thermoplastics).
Suitable for outdoor use (not biodegradable).
Excellent resistance to strong acids and lyes.
Short-term resistance to alcohol, fuel, mineral oil and grease.

KIPP Mushroom knobs biopolymer with internal thread

Order No.	Main colour	Thread type	D	D1	D2	D3	H	H1	T
K0251.1005143	natural beech	internal thread	M5	21	12	19	21	10	10
K0251.1006143	natural beech	internal thread	M6	25	14	23	25	12	10
K0251.1008143	natural beech	internal thread	M8	33	19	33	33	15	14
K0251.100590	black grey RAL 7021	internal thread	M5	21	12	19	21	10	10
K0251.100690	black grey RAL 7021	internal thread	M6	25	14	23	25	12	10
K0251.100890	black grey RAL 7021	internal thread	M8	33	19	33	33	15	14

Mushroom knobs biopolymer

external thread



Material:

Biopolymer, beech.
Threaded pin steel 5.8.

Version:

Screw trivalent blue passivated.
Natural beech with beech fibres or coloured black grey.

Sample order:

K0251.100590X10

Advantages:

This biopolymer is manufactured entirely from renewable raw materials (oil free).
Conservation of finite fossil resources.
The wood fibres originate 100% from local, sustainably managed forests in Germany.

Features:

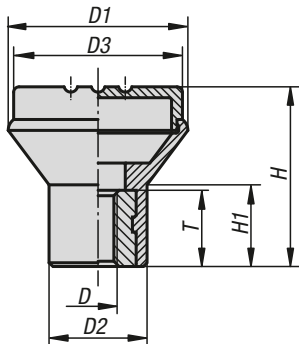
Excellent mechanical stability (certified with a minimum of 2x safety factor).
Biopolymer is suitable for recycling (comparable to thermoplastics).
Suitable for outdoor use (not biodegradable).
Excellent resistance to strong acids and lyes.
Short-term resistance to alcohol, fuel, mineral oil and grease.

KIPP Mushroom knobs biopolymer with external thread

Order No.	Main colour	D	D1	D2	D3	H	H1	L
K0251.1005143X10	natural beech	M5	21	12	19	21	10	10
K0251.1006143X15	natural beech	M6	25	14	23	25	12	15
K0251.1008143X15	natural beech	M8	33	19	33	33	15	15
K0251.100590X10	black grey RAL 7021	M5	21	12	19	21	10	10
K0251.100690X15	black grey RAL 7021	M6	25	14	23	25	12	15
K0251.100890X15	black grey RAL 7021	M8	33	19	33	33	15	15

Mushroom knobs antibacterial

internal thread, metal parts stainless steel



Material:

Thermoplastic, slate grey.
Bush stainless steel 1.4305.

Version:

Stainless steel bright.

Sample order:

K0251.12005144

Application:

The antibacterial KIPP MEDI grip products are highly effective against a variety of hazardous microorganisms, such as bacteria, fungi and even multi-resistant bacteria (e.g. MRSA). The plastic used incorporates micro-silver particles with an antimicrobial effect to ensure effective results throughout the entire product life cycle.

Function:

The growth of harmful micro-organisms on the product surface is effectively disrupted by means of silver ions, and the existing germs on MEDI grip products are consistently reduced (as tested and confirmed by an accredited testing laboratory).

During cleaning cycles the risk of infection through touching these products is significantly lower.

Advantages:

Resistant to humidity and cleaning products (during disinfection) with no toxic side effects.

Applications:

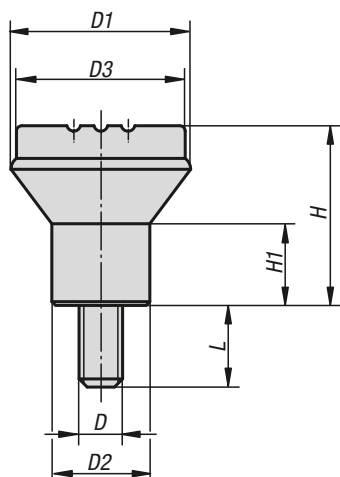
For installation on machines, equipment, plants and furnishings in areas with increased hygienic requirements (including hospitals, doctors' surgeries, rehabilitation centres and food production facilities), as well as for use in public areas or regularly frequented institutions (i.e. nursing homes or daycare centres).

KIPP Mushroom knobs antibacterial internal thread, metal parts stainless steel

Order No.	Component material	D	D1	D2	D3	H	H1	T
K0251.12005144	stainless steel	M5	21	12	19	21	10	10

Mushroom knobs antibacterial

external thread, metal parts stainless steel



Material:

Thermoplastic, slate grey.
Threaded pin stainless steel 1.4305.

Version:

Stainless steel bright.

Sample order:

K0251.12005144X10

Application:

The antibacterial KIPP MEDI grip products are highly effective against a variety of hazardous microorganisms, such as bacteria, fungi and even multi-resistant bacteria (e.g. MRSA).

The plastic used incorporates micro-silver particles with an antimicrobial effect to ensure effective results throughout the entire product life cycle.

Function:

The growth of harmful micro-organisms on the product surface is effectively disrupted by means of silver ions, and the existing germs on MEDI grip products are consistently reduced (as tested and confirmed by an accredited testing laboratory).

During cleaning cycles the risk of infection through touching these products is significantly lower.

Advantages:

Resistant to humidity and cleaning products (during disinfection) with no toxic side effects.

Applications:

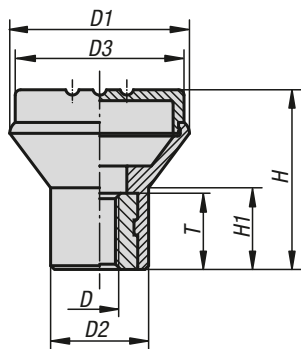
For installation on machines, equipment, plants and furnishings in areas with increased hygienic requirements (including hospitals, doctors' surgeries, rehabilitation centres and food production facilities), as well as for use in public areas or regularly frequented institutions (i.e. nursing homes or daycare centres).

KIPP Mushroom knobs antibacterial, external thread, metal parts stainless steel

Order No.	Component material	D	D1	D2	D3	H	H1	L
K0251.12005144X10	stainless steel	M5	21	12	19	21	10	10

Mushroom knobs antistatic

internal thread



Material:

Thermoplastic, graphite black.
Bush steel 5.8.

Version:

Bush blue passivated

Sample order:

K0251.110524

Application:

Sensitive electrical or electronic equipment, components and devices (ESD sensitive elements) may be damaged or destroyed by electrostatic discharges (ESD) in the immediate vicinity.

Electrostatic discharges can come from people or through handling ESD sensitive components (e.g. during production, assembly, transport, storage etc).

Electrically conductive products which conform to DIN EN 61340-5-1 are essential within electronic environments to prevent an electrostatic discharge.

These products can be used for ESD applications or in ESD protection areas (EPA) in accordance with DIN EN 61340-5-1.

Safety:

These ESD products can also be used for devices, components and protection systems in areas with high risk of explosion.

Use of these ESD products prevents the occurrence of electrostatic spark discharges, eliminating the potential ignition of gases and dusts which could lead to explosions in enclosed spaces.

Manufacturers and operators must use and conform to ATEX directives for the protection of persons working in areas with high risk of explosion.

These ESD products are certified by TÜV-Süd in relation to their electrical discharge capability.

Target groups:

Device manufacturers required to conform to ATEX product directive 2014/34/EU.

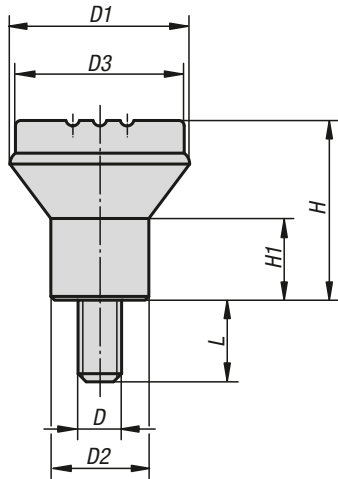
Operators required to conform to ATEX worker protection directive 1999/92/EC.

KIPP Mushroom knobs antistatic internal thread

Order No.	Main colour	D	D1	D2	D3	H	H1	T
K0251.110524	graphite black RAL 9011	M5	21	12	19	21	10	10

Mushroom knobs antistatic

external thread



Material:

Thermoplastic, graphite black.
Threaded pin steel 5.8.

Version:

Screw blue passivated.

Sample order:

K0251.110524X10

Application:

Sensitive electrical or electronic equipment, components and devices (ESD sensitive elements) may be damaged or destroyed by electrostatic discharges (ESD) in the immediate vicinity.

Electrostatic discharges can come from people or through handling ESD sensitive components (e.g. during production, assembly, transport, storage etc).

Electrically conductive products which conform to DIN EN 61340-5-1 are essential within electronic environments to prevent an electrostatic discharge.

These products can be used for ESD applications or in ESD protection areas (EPA) in accordance with DIN EN 61340-5-1.

Safety:

These ESD products can also be used for devices, components and protection systems in areas with high risk of explosion.

Use of these ESD products prevents the occurrence of electrostatic spark discharges, eliminating the potential ignition of gases and dusts which could lead to explosions in enclosed spaces.

Manufacturers and operators must use and conform to ATEX directives for the protection of persons working in areas with high risk of explosion.

These ESD products are certified by TÜV-Süd in relation to their electrical discharge capability.

Target groups:

Device manufacturers required to conform to ATEX product directive 2014/34/EU.

Operators required to conform to ATEX worker protection directive 1999/92/EC.

KIPP Mushroom knobs antistatic external thread

Order No.	Main colour	D	D1	D2	D3	H	H1	L
K0251.110524X10	graphite black RAL 9011	M5	21	12	19	21	10	10