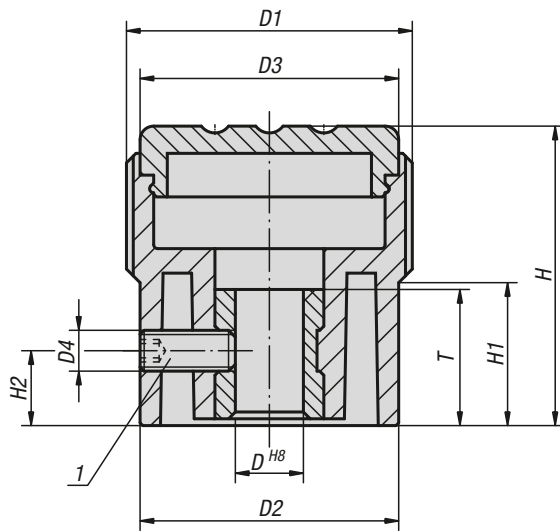


Knurled knobs



Material:
Thermoplastic, black grey.
Bush steel.

Version:
Bush blue passivated

Sample order:
K0248.11055 (cap colour light grey)

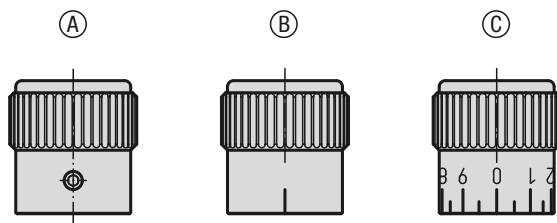
Note:
Available without graduations, with one scale line or with 20 graduations and 10 digits.

Δ Add the desired cap colour here. No colour code is required for black grey caps.

On request:
Special graduations.

Drawing reference:
Form A: without graduations
Form B: with one scale line
Form C: with standard graduations

1) Set screw for locking (by Form C between numbers 5 and 6)



black grey RAL 7021	pure orange Δ = 1 RAL 2004	signal green Δ = 2 RAL 6032	traffic blue Δ = 3 RAL 5017
light grey Δ = 5 RAL 7035	traffic red Δ = 6 RAL 3020	colza yellow Δ = 7 RAL 1021	

KIPP Knurled knobs

Order No.	Form	D	D1	D2	D3	D4	H	H1	H2	T
K0248.1105Δ	A	5	21	19	19	M3	22	10,5	5	10
K0248.1206Δ	A	6	26	23	23	M3	26	12	6	10
K0248.1308Δ	A	8	34	31	31	M4	36	17,5	7	14
K0248.2105Δ	B	5	21	19	19	M3	22	10,5	5	10
K0248.2206Δ	B	6	26	23	23	M3	26	12	6	10
K0248.2308Δ	B	8	34	31	31	M4	36	17,5	7	14
K0248.3105Δ	C	5	21	19	19	M3	22	10,5	5	10
K0248.3206Δ	C	6	26	23	23	M3	26	12	6	10
K0248.3308Δ	C	8	34	31	31	M4	36	17,5	7	14