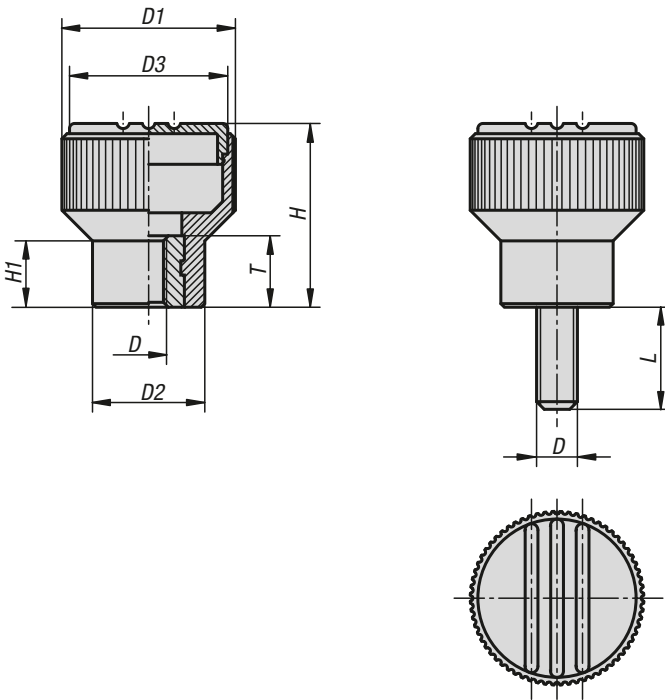


Knurled knobs

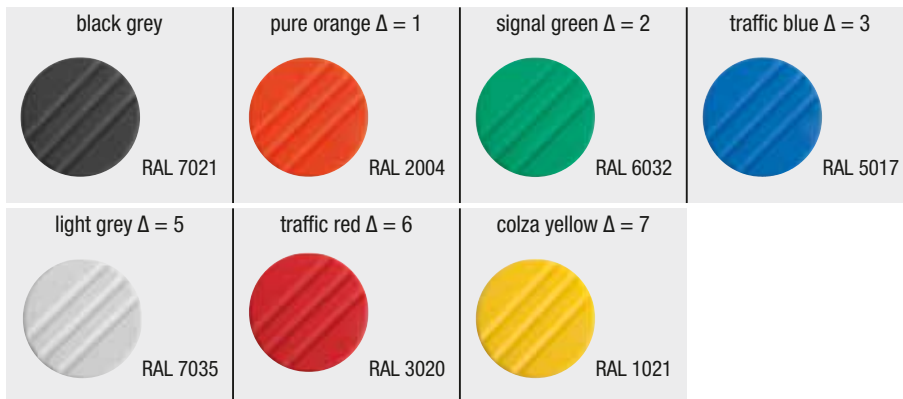


Material:
Black thermoplastic.
Bush and screw 5.8 steel or 1.4305 stainless steel.

Version:
Steel trivalent blue passivated, stainless steel bright.

Sample order:
K0247.01056X20
(Cap colour traffic red. Include length L)

Note:
Δ Add the desired cap colour here.
No colour code is required for black grey caps.



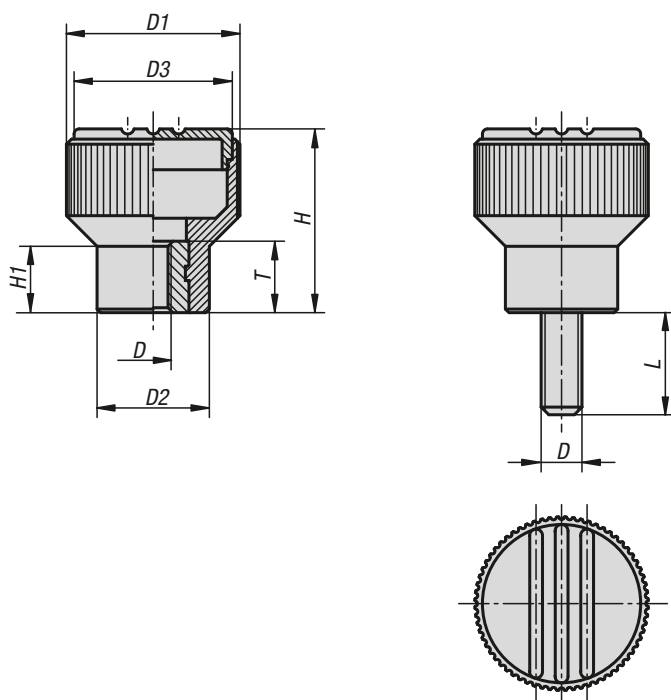
KIPP Knurled knobs with internal thread

Order No. stainless steel	Order No. steel	D	D1	D2	D3	H	H1	T
K0247.0104Δ	K0247.104Δ	M4	21	14	19	22	8	10
K0247.0105Δ	K0247.105Δ	M5	21	14	19	22	8	10
K0247.0106Δ	K0247.106Δ	M6	21	14	19	22	8	10
K0247.0208Δ	K0247.208Δ	M8	26	18	23	26	9,5	14
K0247.0308Δ	K0247.308Δ	M8	34	22	31	36	13	14
K0247.0310Δ	K0247.310Δ	M10	34	22	31	36	13	14

KIPP Knurled knobs with external thread

Order No. steel	Order No. stainless steel	D	D1	D2	D3	H	H1	L
K0247.105ΔX	K0247.0105ΔX	M5	21	14	19	22	8	10/12/15/20/25
K0247.106ΔX	K0247.0106ΔX	M6	21	14	19	22	8	15/20/25/30
K0247.208ΔX	K0247.0208ΔX	M8	26	18	23	26	9,5	20/25/30/40
K0247.310ΔX	K0247.0310ΔX	M10	34	22	31	36	13	20/30/40

Knurled knobs biopolymer

**Material:**

Biopolymer, beech.
Bush or threaded pin steel 5.8

Version:

Steel blue passivated.
Natural beech with beech fibres or coloured black grey.

Sample order:

K0247.1010490

Advantages:

This biopolymer is manufactured entirely from renewable raw materials (oil free).
Conservation of finite fossil resources.
The wood fibres originate 100% from local, sustainably managed forests in Germany.

Features:

Excellent mechanical stability (certified with a minimum of 2x safety factor).
Biopolymer is suitable for recycling (comparable to thermoplastics).
Suitable for outdoor use (not biodegradable).
Excellent resistance to strong acids and lyes.
Short-term resistance to alcohol, fuel, mineral oil and grease.

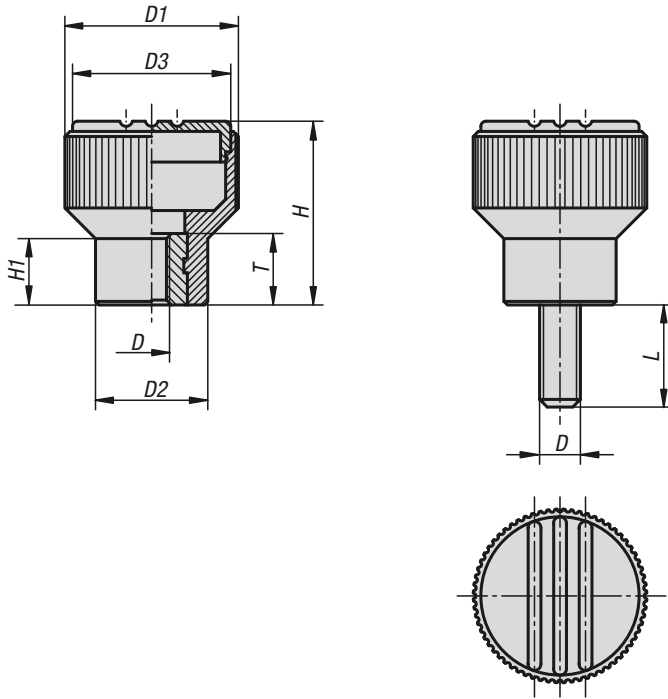
KIPP Knurled knobs biopolymer internal thread

Order No.	Main colour	D	D1	D2	D3	H	H1	T
K0247.10104143	natural beech	M4	21	14	19	22	8	10
K0247.10105143	natural beech	M5	21	14	19	22	8	10
K0247.10106143	natural beech	M6	21	14	19	22	8	10
K0247.1010490	black grey RAL 7021	M4	21	14	19	22	8	10
K0247.1010590	black grey RAL 7021	M5	21	14	19	22	8	10
K0247.1010690	black grey RAL 7021	M6	21	14	19	22	8	10

KIPP Knurled knobs biopolymer external thread

Order No.	Main colour	D	D1	D2	D3	H	H1	L
K0247.10105143X10	natural beech	M5	21	14	19	22	8	10
K0247.10106143X15	natural beech	M6	21	14	19	22	8	15
K0247.1010590X10	black grey RAL 7021	M5	21	14	19	22	8	10
K0247.1010690X15	black grey RAL 7021	M6	21	14	19	22	8	15

Knurled knobs antistatic



Material:

Thermoplastic, graphite black.
Bush or screw steel 5.8.

Version:

Screw blue passivated.

Sample order:

K0247.1110624

Application:

Sensitive electrical or electronic equipment, components and devices (ESD sensitive elements) may be damaged or destroyed by electrostatic discharges (ESD) in the immediate vicinity. Electrostatic discharges can come from people or through handling ESD sensitive components (e.g. during production, assembly, transport, storage etc).

Electrically conductive products which conform to DIN EN 61340-5-1 are essential within electronic environments to prevent an electrostatic discharge.

These products can be used for ESD applications or in ESD protection areas (EPA) in accordance with DIN EN 61340-5-1.

Safety:

These ESD products can also be used for devices, components and protection systems in areas with high risk of explosion. Use of these ESD products prevents the occurrence of electrostatic spark discharges, eliminating the potential ignition of gases and dusts which could lead to explosions in enclosed spaces.

Manufacturers and operators must use and conform to ATEX directives for the protection of persons working in areas with high risk of explosion.

These ESD products are certified by TÜV-Süd in relation to their electrical discharge capability.

Target groups:

Device manufacturers required to conform to ATEX product directive 2014/34/EU.

Operators required to conform to ATEX worker protection directive 1999/92/EC.

KIPP Knurled knobs antistatic with internal thread

Order No.	D	D1	D2	D3	H	H1	T
K0247.1110624	M6	21	14	19	22	8	10

KIPP Knurled knobs antistatic with external thread

Order No.	D	D1	D2	D3	H	H1	L
K0247.1110624X15	M6	21	14	19	22	8	15