

## Indexing plungers

with five lobe grip



**Material:**

Thermoplastic.  
Indexing pin and screw steel 5.8.

**Version:**

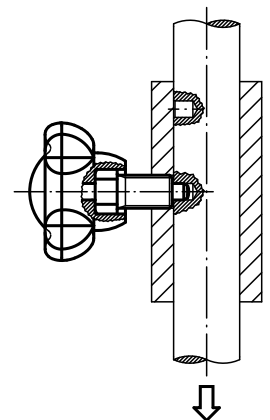
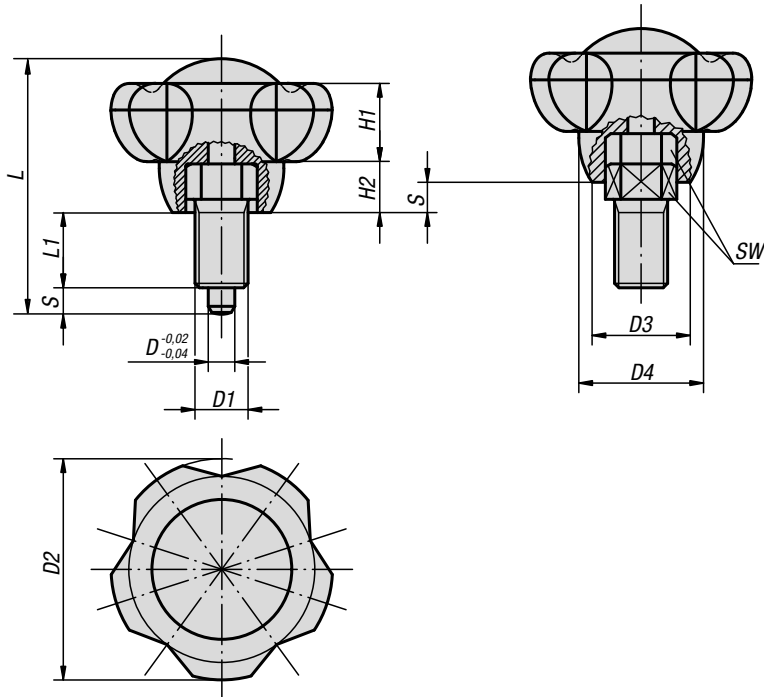
Lower grip black-grey.  
Indexing pin and screw black oxidised.  
Indexing pin hardened and ground.

**Sample order:**

K0245.11056 (cap colour traffic red)

**Note:**

Δ Add the desired cap colour here.  
No colour code is required for black grey caps.



**KIPP Indexing plungers with five lobe grip**

Order No.	D	D1	D2	D3	D4	H1	H2	L	L1	Travel S	SW
K0245.1105Δ	5	M10x1	50	22,2	28,2	17,8	11,5	52,8	13	5	13
K0245.1206Δ	6	M12x1,5	50	22,2	28,2	17,8	11,5	57,8	17	6	14
K0245.1308Δ	8	M16x1,5	63	28	35,5	22,5	14,5	74	22	8	19
K0245.1410Δ	10	M20x1,5	63	28	35,5	22,5	14,5	78	24	10	22