

Pull handles

angled



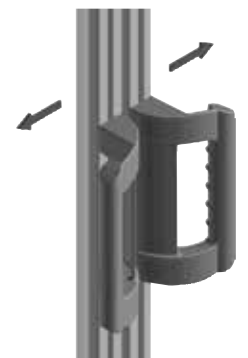
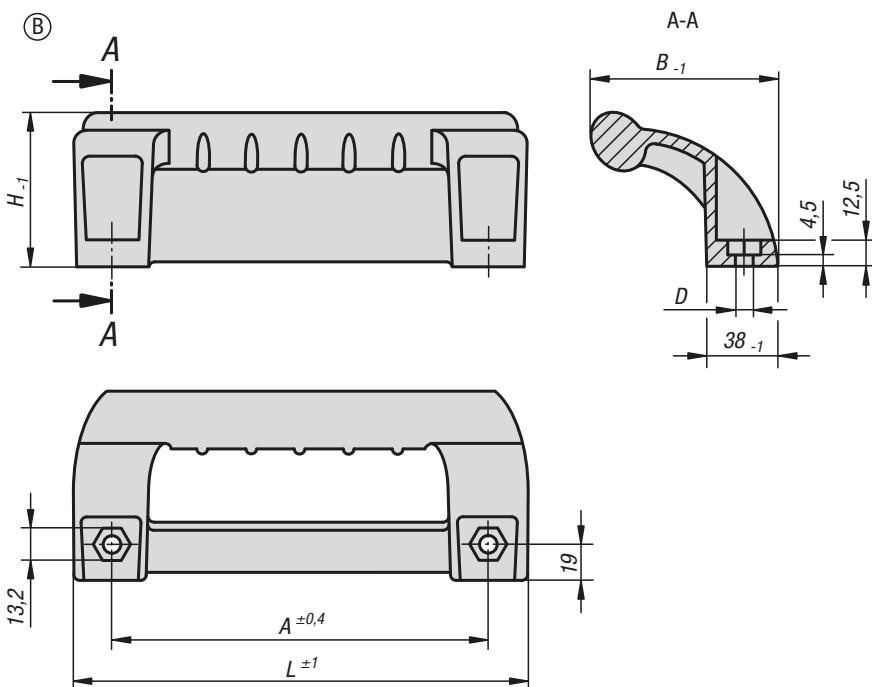
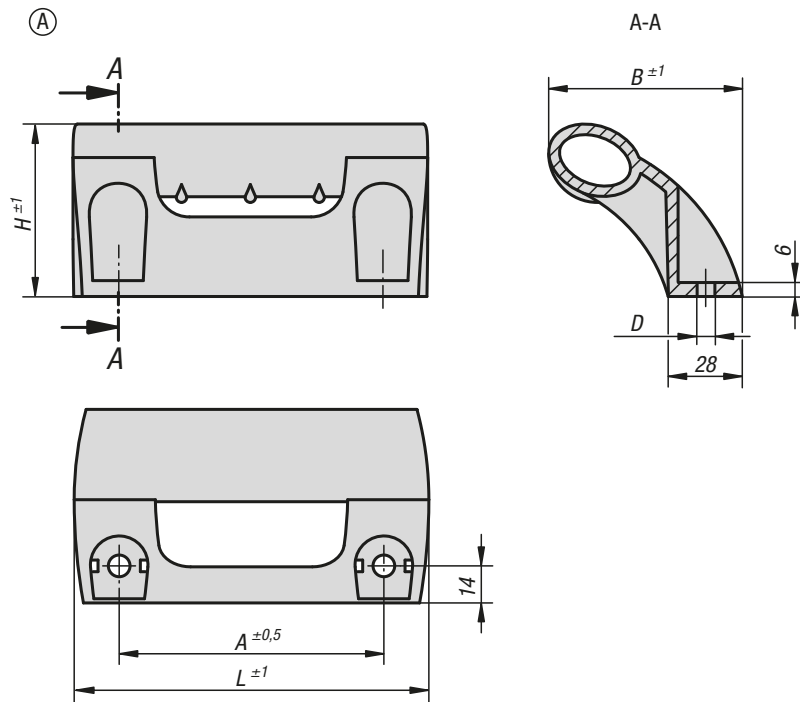
Material:
Glass-bead reinforced thermoplastic PA

Version:
black.

Sample order:
K0244.100081
K0244.1 (2 per pack)

Note:
Ergonomic design pull handles with finger shield. For mounting on doors, hatches and aluminium profiles. Ideal for double-leaf doors. Fastening with hexagon or socket head M8 bolts.

Cover caps are not supplied with the handle, please order separately.



KIPP Pull handles angled

Order No.	Form	A	B	D	H	L	Load capacity N	Order No. cover caps
K0244.100081	A	100	73	8,5	65	134	1000	K0244.1
K0244.198081	B	198	100	8,8	80	236	1000	K0244.3