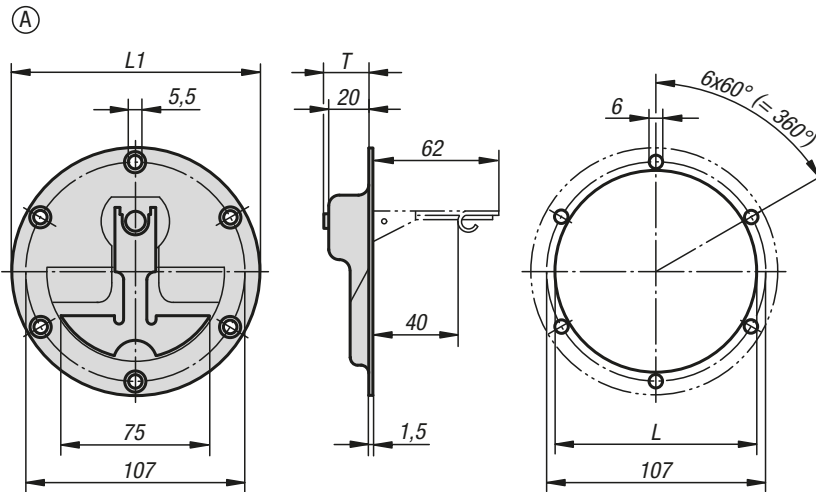


Recessed handles

fold-down stainless steel



Material:

Stainless steel 1.4301.

Version:

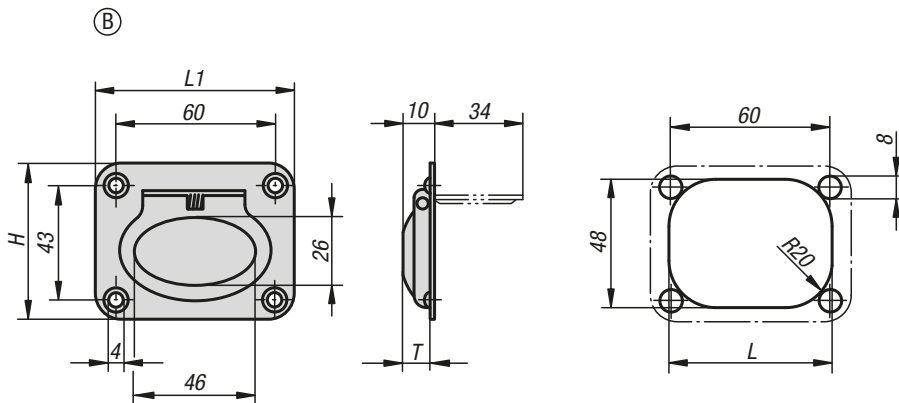
High-gloss electropolished.

Sample order:

K0243.1120000

Note:

Stainless steel retractable grips with marginal installation depth. For base and mounting plates or drawers. With return spring. The grip automatically swivels back into its resting position after use.



KIPP Recessed handles fold-down stainless steel

Order No.	Form	Version 2	H	L	L1	T	Load capacity N
K0243.1120000	A	screw on	120	98	120	22	200
K0243.2075058	B	screw on	58	63	75	9	200