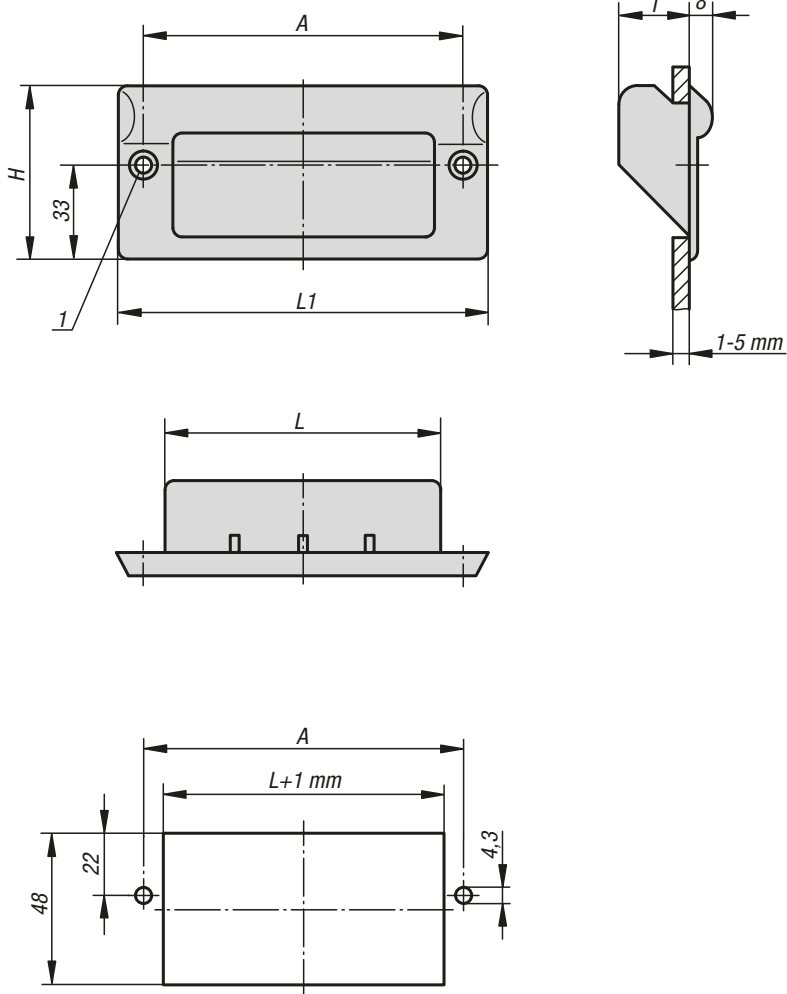


Recessed handles



Material:

Glass bead reinforced thermoplastic.

Version:

Semi-matt, black or light grey.

Sample order:

K0242.1082041

Note:

These ergonomically shaped handles are ideally suited for wall thicknesses of 1-5 mm.

Assembly:

The handle is inserted in the cutout of the housing panel and then fixed from the front with 2 countersunk screws (not supplied).

Drawing reference:

1) for countersunk screws M4

KIPP Recessed handles

Order No.	Main colour	A	H	L	L1	T	Load capacity N
K0242.1082041	black	82	61	67	100	25	1000
K0242.1112041	black	112	61	97	130	25	1000
K0242.1082042	light grey RAL 7035	82	61	67	100	25	1000
K0242.1112042	light grey RAL 7035	112	61	97	130	25	1000