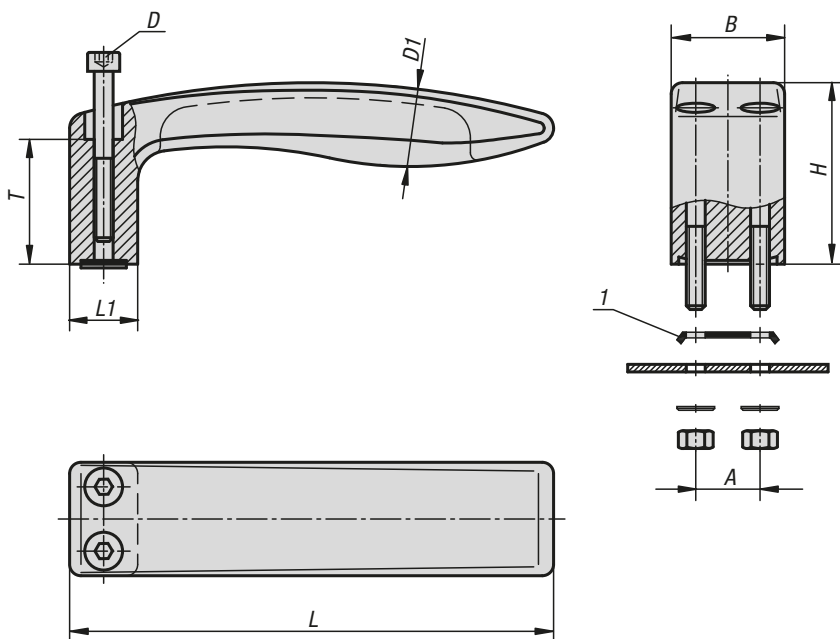


## Pull handles

open-ended screw on



**Material:**

Glass-bead reinforced thermoplastic.  
Fastening material 1.4301.

**Version:**

Matt black with fine texture.

**Sample order:**

K0237.12805

**Note:**

These open-ended handles can be mounted right or left. They are form stable and have a high load rating. Fastening bolts, nuts and washers are supplied as is a locking plate to prevent twisting.

**Assembly:**

From the front.

**Drawing reference:**

1) locking plate

### KIPP Pull handles open-ended screw on

Order No.	A	B	D	D1	H	L	L1	T	Load capacity N
K0237.12805	17	30	M5x45	20	48	128	18	33	800
K0237.15606	20	36	M6x55	24	58	156	22	40	1000