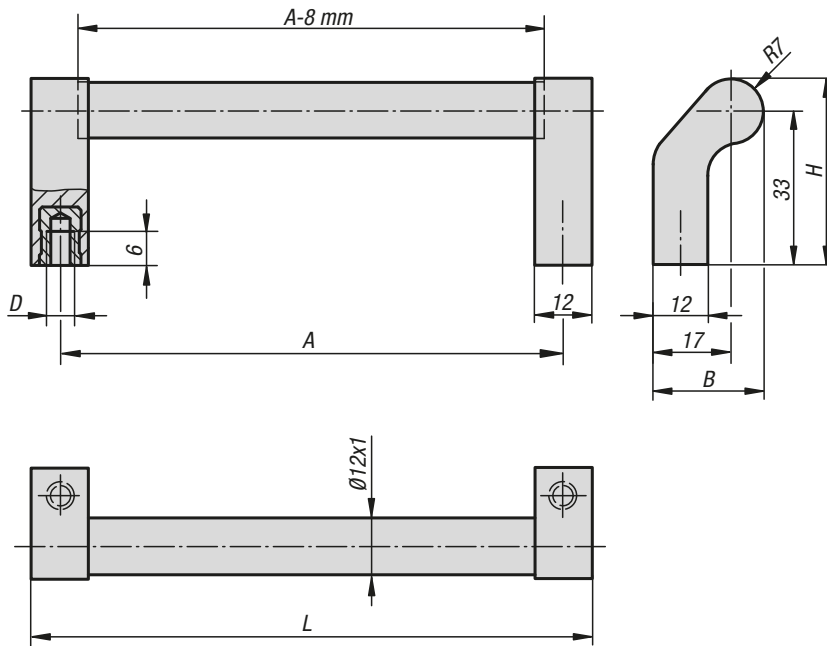


Tubular handles

angled

19"



Material:

Grip aluminium EN AW-6060 or stainless steel 1.4301.
Legs polyamide glass-bead reinforced.
Bushing brass.

Version:

Grip natural colour, black anodised or finely ground stainless steel.
Legs matt black.

Sample order:

K0235.088041

Note:

Clamping webs give a precision fit of tube to legs.

Assembly:

From the rear.

KIPP Tubular handles angled

Order No.	Main material	Main colour	A	B	D	H	L	Load capacity N
K0235.088041	aluminium	natural anodised	88	24	M4	40	100	200
K0235.096041	aluminium	natural anodised	96	24	M4	40	108	200
K0235.120041	aluminium	natural anodised	120	24	M4	40	132	200
K0235.128041	aluminium	natural anodised	128	24	M4	40	140	200
K0235.160041	aluminium	natural anodised	160	24	M4	40	172	200
K0235.180041	aluminium	natural anodised	180	24	M4	40	192	200
K0235.088042	aluminium	black anodised	88	24	M4	40	100	200
K0235.096042	aluminium	black anodised	96	24	M4	40	108	200
K0235.120042	aluminium	black anodised	120	24	M4	40	132	200
K0235.128042	aluminium	black anodised	128	24	M4	40	140	200
K0235.160042	aluminium	black anodised	160	24	M4	40	172	200
K0235.180042	aluminium	black anodised	180	24	M4	40	192	200
K0235.088043	stainless steel	ground	88	24	M4	40	100	200
K0235.096043	stainless steel	ground	96	24	M4	40	108	200
K0235.120043	stainless steel	ground	120	24	M4	40	132	200
K0235.128043	stainless steel	ground	128	24	M4	40	140	200
K0235.160043	stainless steel	ground	160	24	M4	40	172	200
K0235.180043	stainless steel	ground	180	24	M4	40	192	200