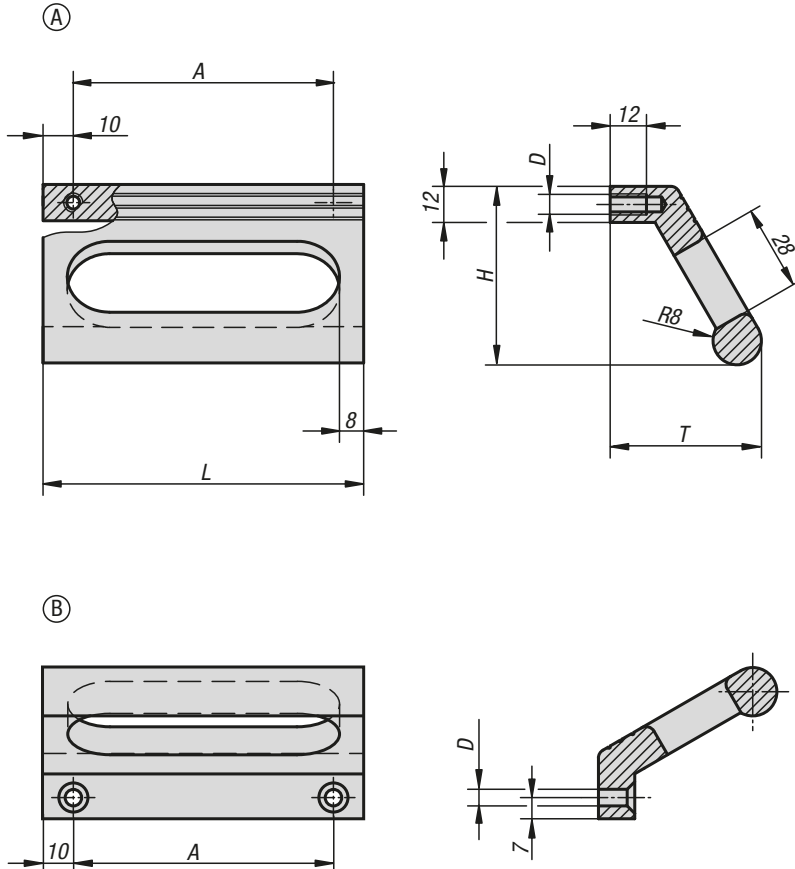


Ledge handles



Material:
Profile aluminium EN AW-6060

Version:
Matt-gloss anodised.

Sample order:
K0234.086061

Note:
These ledge handles are available with M6 internal thread or with through hole for M5 countersunk screws for front mounting.

Assembly:
Form A from the rear.
Form B from the front.

KIPP Ledge handles

Order No.	Form	Main colour	A	D	H	L	T	Load capacity N
K0234.086061	A	black anodised	86	M6	59	106	50	500
K0234.100061	A	black anodised	100	M6	59	120	50	500
K0234.120061	A	black anodised	120	M6	59	140	50	500
K0234.086063	A	natural anodised	86	M6	59	106	50	500
K0234.100063	A	natural anodised	100	M6	59	120	50	500
K0234.120063	A	natural anodised	120	M6	59	140	50	500
K0234.086051	B	black anodised	86	5,5	59	106	50	500
K0234.100051	B	black anodised	100	5,5	59	120	50	500
K0234.120051	B	black anodised	120	5,5	59	140	50	500
K0234.086053	B	natural anodised	86	5,5	59	106	50	500
K0234.100053	B	natural anodised	100	5,5	59	120	50	500
K0234.120053	B	natural anodised	120	5,5	59	140	50	500