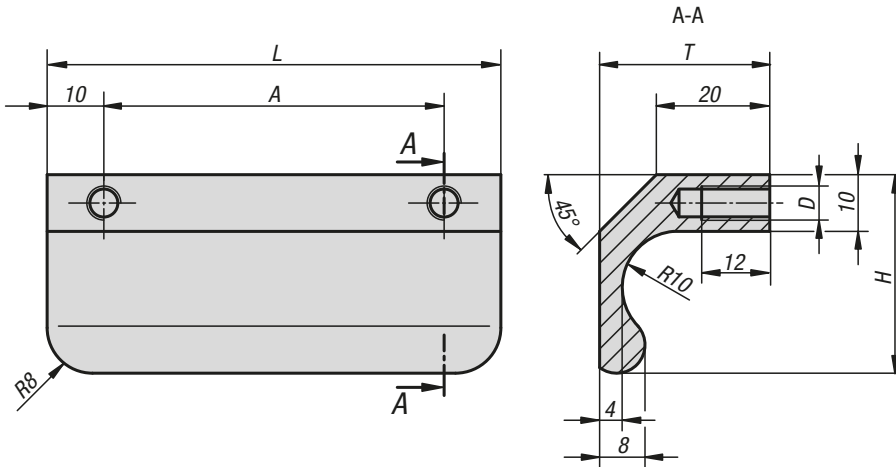


## Ledge handles

stainless steel



**Material:**

Profile stainless steel 1.4404.

**Version:**

Abrasive cleaned and matt-gloss electropolished.

**Sample order:**

K0233.06006

**Assembly:**

From the rear.

**On request:**

Any other lengths.

### KIPP Ledge handles stainless steel

Order No.	A	D	H	L	T	Load capacity N
K0233.06006	60	M6	35	80	30	1000
K0233.08006	80	M6	35	100	30	1000
K0233.10006	100	M6	35	120	30	1000
K0233.13006	130	M6	35	150	30	1000