

Ledge handles



Material:

Profile aluminium EN AW-6060

Version:

Profile aluminium vibration ground, matt-finished and natural colour or black anodised.

Sample order:

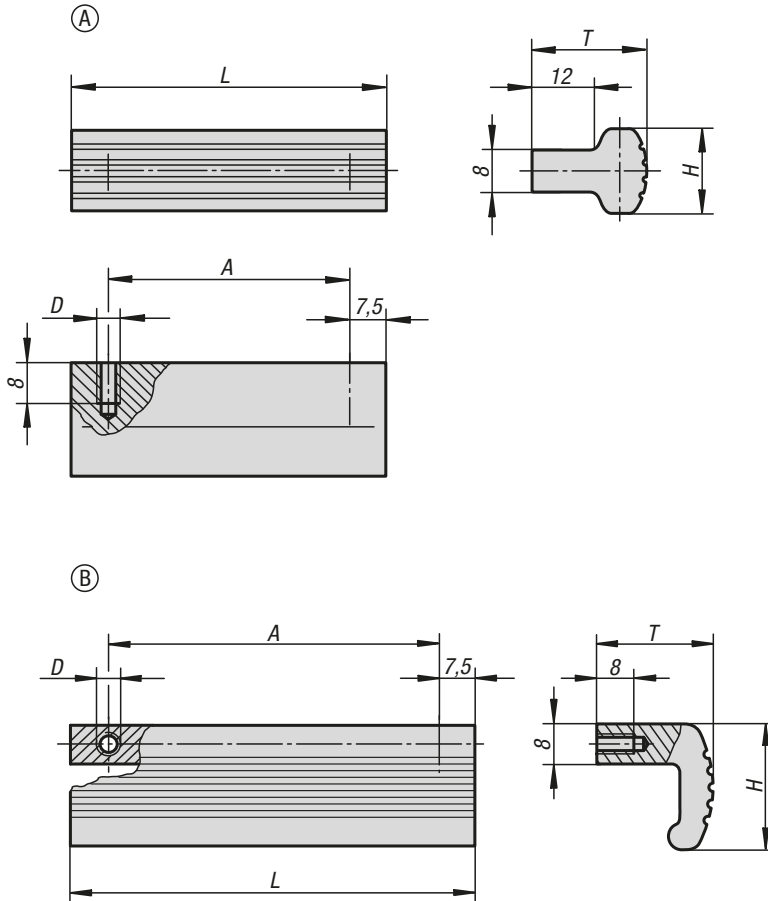
K0232.10301

Assembly:

From the rear.

On request:

Any other lengths.



KIPP Ledge handles

Order No. natural anodized	Order No. black anodised	Form	A	D	H	L	T	Load capacity N
K0232.10301	K0232.10302	A	30	M4	16	45	22	200
K0232.10451	K0232.10452	A	45	M4	16	60	22	200
K0232.10701	K0232.10702	A	70	M4	16	85	22	200
K0232.10901	K0232.10902	A	90	M4	16	105	22	200
K0232.11051	K0232.11052	A	105	M4	16	120	22	200
K0232.11201	K0232.11202	A	120	M4	16	135	22	200
K0232.20301	K0232.20302	B	30	M4	26	45	25	200
K0232.20451	K0232.20452	B	45	M4	26	60	25	200
K0232.20701	K0232.20702	B	70	M4	26	85	25	200
K0232.20901	K0232.20902	B	90	M4	26	105	25	200
K0232.21051	K0232.21052	B	105	M4	26	120	25	200
K0232.21201	K0232.21202	B	120	M4	26	135	25	200