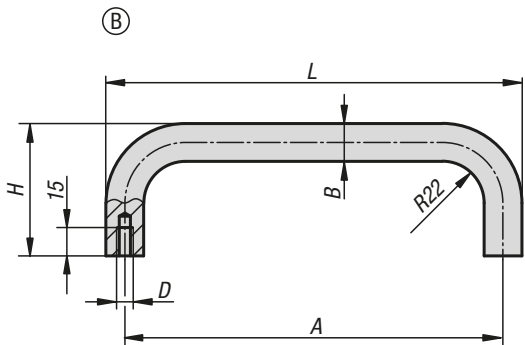
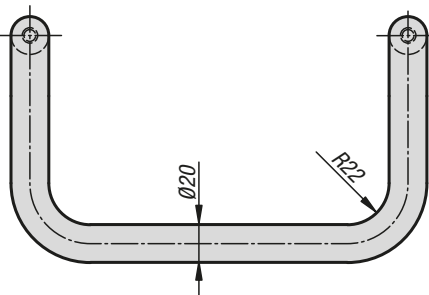
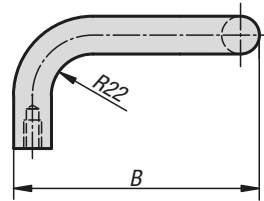
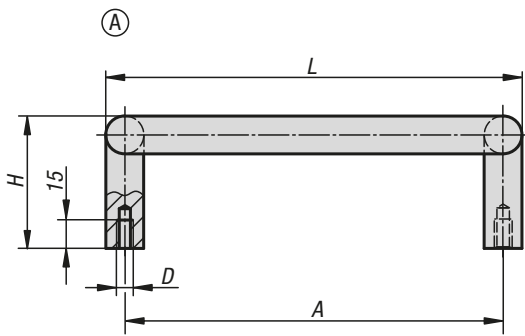


## Pull handles



**Material:**  
Round steel

**Version:**  
Ground, brushed and matt-chromed or black powder-coated with fine texture

**Sample order:**  
K0230.20081

**Note:**  
Available as straight or right-angled handle.

**Assembly:**  
From the rear.

### KIPP Pull handles

Order No.	Form	Main colour	A	B	D	H	L	Load capacity N
K0230.200081	A	matt chromed	200	130	M8	70	220	1000
K0230.350081	A	matt chromed	350	130	M8	70	370	1000
K0230.200082	A	black powder-coated	200	130	M8	70	220	1000
K0230.350082	A	black powder-coated	350	130	M8	70	370	1000
K0230.200083	B	matt chromed	200	20	M8	70	220	1000
K0230.250083	B	matt chromed	250	20	M8	70	270	1000
K0230.300083	B	matt chromed	300	20	M8	70	320	1000
K0230.350083	B	matt chromed	350	20	M8	70	370	1000
K0230.200084	B	black powder-coated	200	20	M8	70	220	1000
K0230.250084	B	black powder-coated	250	20	M8	70	270	1000
K0230.300084	B	black powder-coated	300	20	M8	70	320	1000
K0230.350084	B	black powder-coated	350	20	M8	70	370	1000