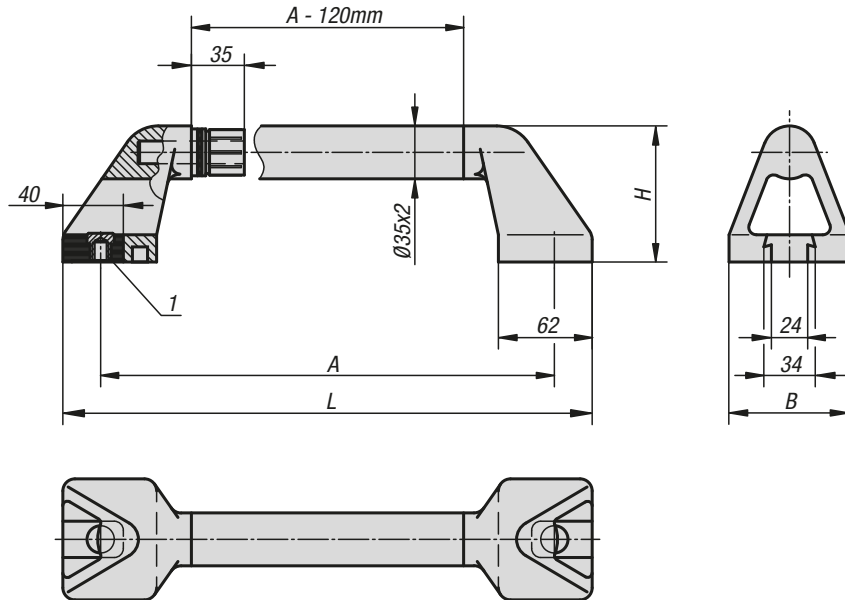


## Tubular handles



**Material:**

Legs glass-bead reinforced thermoplastic.  
Grip stainless steel 1.4301.  
Inserts stainless steel 1.4305.

**Version:**

Legs fine structured, black.  
Grip fine ground.  
Inserts fine turned.

**Sample order:**

K0226.300101

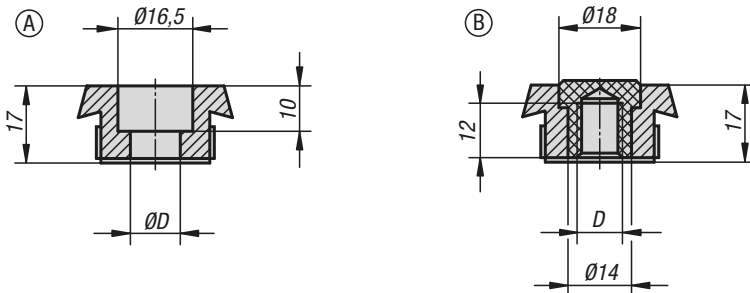
**Note:**

Locking webs allow a precision fit of the tube on the plastic leg boss.  
Splash-proof with O-ring seals.  
Different fastening inserts allow mounting from the front, rear or with each other.  
Handles with through hole inserts (Form A) are supplied with stainless steel fasteners.  
Handles with tapped inserts (Form B) are supplied without fasteners.

**Drawing reference:**

Form A: screw head insert  
Form B: threaded insert

1) Screw head insert (A) or threaded insert (B).



### KIPP Tubular handles

Order No.	Form	A	B	D	H	L	Load capacity N
K0226.300101	A	300	80	11	90	350	1000
K0226.350101	A	350	80	11	90	400	1000
K0226.400101	A	400	80	11	90	450	1000
K0226.500101	A	500	80	11	90	550	1000
K0226.600101	A	600	80	11	90	650	1000
K0226.300102	B	300	80	M10	90	350	1000
K0226.350102	B	350	80	M10	90	400	1000
K0226.400102	B	400	80	M10	90	450	1000
K0226.500102	B	500	80	M10	90	550	1000
K0226.600102	B	600	80	M10	90	650	1000