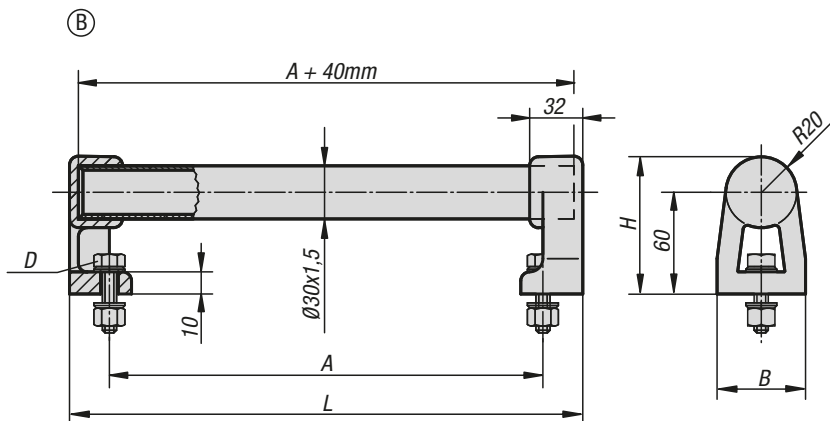
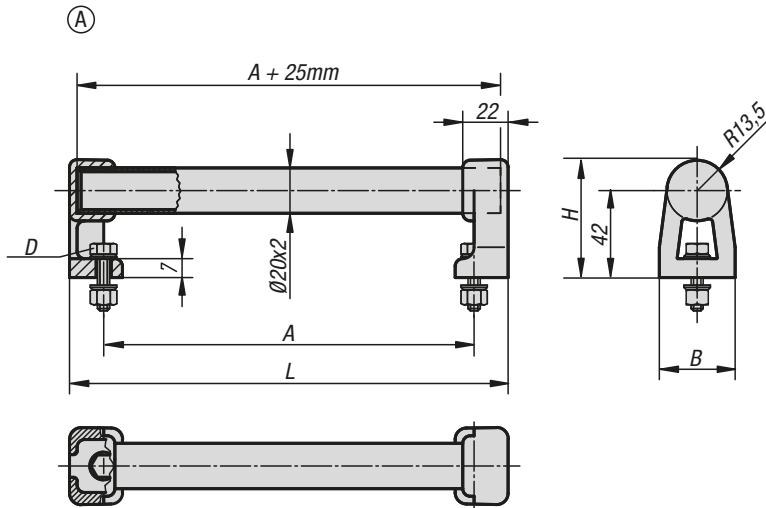


## Tubular handles



**Material:**

Grip aluminium EN AW-6060.  
Legs glass-bead reinforced polyamide.

**Version:**

Grip natural colour anodised or with black serrated plastic cover.

**Sample order:**

K0223.150203

**Note:**

The legs have 2 or 4 PVC profile pins in the hole for the grip tube. When pushing the tube in these are trimmed off and produce a precise seating. Black electro zinc-plated fastening screws, suitable washers and nuts are supplied.

**Assembly:**

From the front.

### KIPP Tubular handles

Order No. natural	Order No. black	Form	A	B	D	H	L	Load capacity N
K0223.150203	K0223.150202	A	150	32	M5x20	55,5	184	1000
K0223.200203	K0223.200202	A	200	32	M5x20	55,5	234	1000
K0223.300203	K0223.300202	A	300	32	M5x20	55,5	334	1000
K0223.400203	K0223.400202	A	400	32	M5x20	55,5	434	1000
K0223.500203	K0223.500202	A	500	32	M5x20	55,5	534	1000
K0223.150303	K0223.150302	B	150	48	M8x25	80	200	1000
K0223.200303	K0223.200302	B	200	48	M8x25	80	250	1000
K0223.300303	K0223.300302	B	300	48	M8x25	80	350	1000
K0223.400303	K0223.400302	B	400	48	M8x25	80	450	1000
K0223.500303	K0223.500302	B	500	48	M8x25	80	550	1000