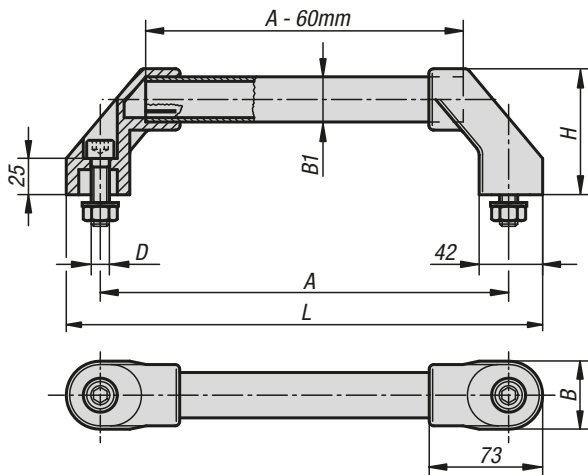


Tubular handles



Material:

Legs black glass-bead reinforced thermoplastic.
Grip aluminium EN AW-6060 or stainless steel 1.4301.

Version:

Connecting tube aluminium, ground and natural tone anodised or with serrated plastic cover.
Connecting tube stainless steel, fine ground.

Sample order:

K0222.3501

Note:

The legs have 4 webs in the hole for the grip tube. When pushing the tube in these are trimmed off and produce a precise seating. Black electro zinc-plated fastening screws together with washers and nuts are supplied.

Assembly:

From the front.

KIPP Tubular handles

| Order No. aluminium ground and anodised | Order No. aluminium serrated plastic sleeve | Order No. stainless steel | A | B | B1 | D | H | L | Load capacity N |
|---|---|------------------------------|-----|----|--------|--------|----|-----|-----------------------|
| K0222.2501 | K0222.2502 | K0222.2503 | 250 | 44 | 30X1,5 | M10x45 | 80 | 294 | 1000 |
| K0222.3001 | K0222.3002 | K0222.3003 | 300 | 44 | 30X1,5 | M10x45 | 80 | 344 | 1000 |
| K0222.3501 | K0222.3502 | K0222.3503 | 350 | 44 | 30X1,5 | M10x45 | 80 | 394 | 1000 |
| K0222.4001 | K0222.4002 | K0222.4003 | 400 | 44 | 30X1,5 | M10x45 | 80 | 444 | 1000 |
| K0222.5001 | K0222.5002 | K0222.5003 | 500 | 44 | 30X1,5 | M10x45 | 80 | 544 | 1000 |
| K0222.6001 | K0222.6002 | K0222.6003 | 600 | 44 | 30X1,5 | M10x45 | 80 | 644 | 1000 |