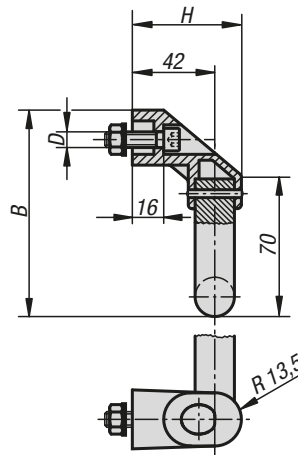
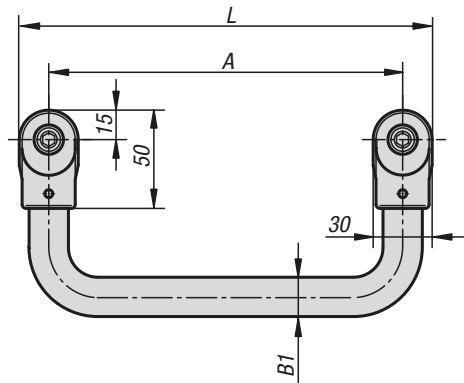


## Tubular handles

angled



**Material:**

Leg glass-bead reinforced thermoplastic.  
Grip aluminium tube.

**Version:**

Black thermoplastic.  
Anodised aluminium.

**Sample order:**

K0220.3002

**Note:**

The legs are pinned to the aluminium tube. Black electro zinc-plated cap screws, nuts and washers are supplied.

**Assembly:**

From the front.

### KIPP Tubular handles angled

Order No. natural	Order No. black	A	B	B1	D	H	L	Load capacity N
K0220.2001	K0220.2002	200	115	20	M8x30	55,5	230	800
K0220.2501	K0220.2502	250	115	20	M8x30	55,5	280	800
K0220.3001	K0220.3002	300	115	20	M8x30	55,5	330	800
K0220.3501	K0220.3502	350	115	20	M8x30	55,5	380	800
K0220.4001	K0220.4002	400	115	20	M8x30	55,5	430	800