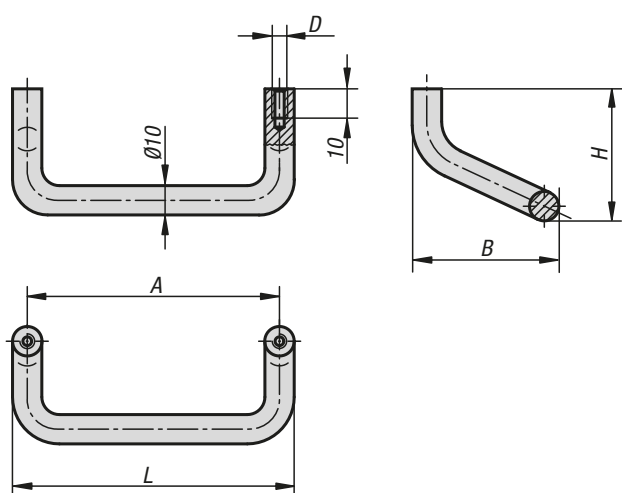


## Pull handles angled



**Material:**  
Aluminium.

**Version:**  
Matt-finished, anodised black or natural tone.

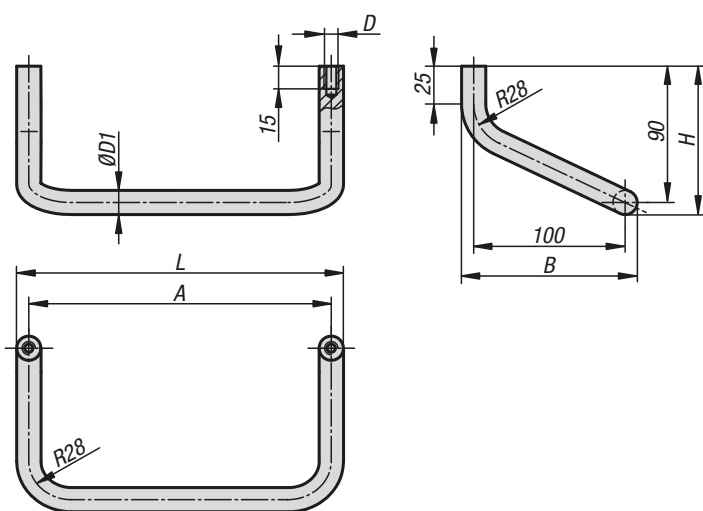
**Sample order:**  
K0219.12001

**Assembly:**  
From the rear.

### KIPP Pull handles angled

Order No. black	Order No. natural	A	B	D	H	L	Load capacity N
K0219.08601	K0219.08603	86	40	M5	45	96	500
K0219.12001	K0219.12003	120	40	M5	45	130	500
K0219.18001	K0219.18003	180	40	M5	45	190	500

## Pull handles angled



**Material:**  
Round aluminium EN AW-6060

**Version:**  
Ground, glass blasted and matt-gloss black anodised.

**Sample order:**  
K0229.20016

**Note:**  
End washers not included.

**Assembly:**  
From the rear.

**On request:**  
Any handle length.

### KIPP Pull handles angled

Order No.	A	B	D	D1	H	L	Load capacity N	Order No. end washer
K0229.20016	200	116	M8	16	98	216	1000	K0229.16
K0229.25016	250	116	M8	16	98	266	1000	K0229.16
K0229.30016	300	116	M8	16	98	316	1000	K0229.16
K0229.40016	400	116	M8	16	98	416	1000	K0229.16
K0229.50018	500	118	M8	18	99	518	1000	K0229.18