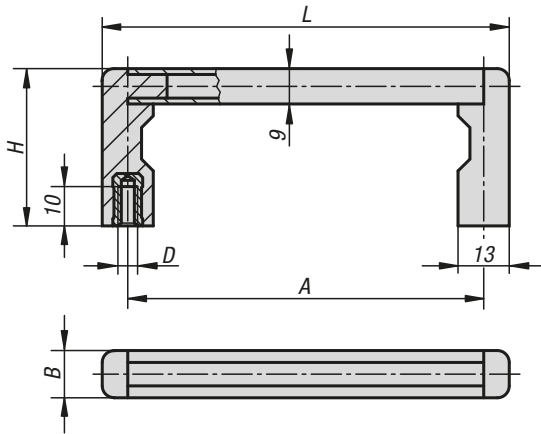


## Pull handles

19"



**Material:**  
Grip aluminium.  
Legs high-strength plastic

**Version:**  
Grip natural tone or black anodised.

**Sample order:**  
K0217.05501

**Assembly:**  
From the rear.

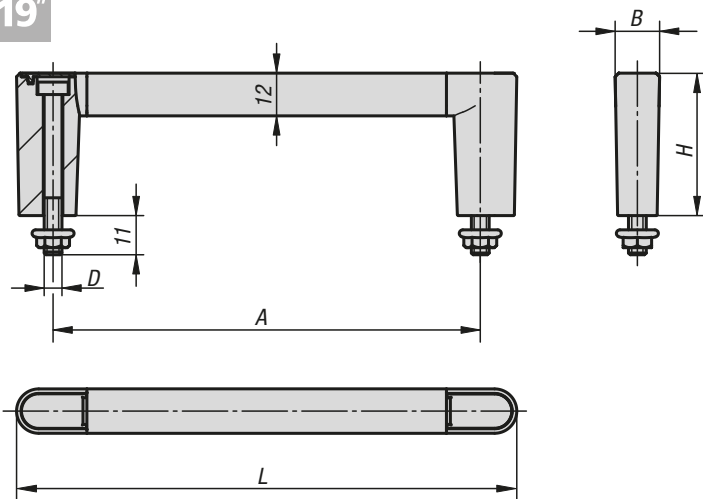
### KIPP Pull handles

Order No. black	Order No. natural	A	B	D	H	L	Load capacity N
K0217.05501	K0217.05503	55	12	M5	40	69	1000
K0217.08801	K0217.08803	88	12	M5	40	102	1000
K0217.10001	K0217.10003	100	12	M5	40	114	1000
K0217.12001	K0217.12003	120	12	M5	40	134	1000
K0217.18001	K0217.18003	180	12	M5	40	194	1000
K0217.23501	K0217.23503	235	12	M5	40	249	1000

# K1127

## Pull handles

19"



**Material:**  
Grip aluminium.  
Legs and cap PA 6.  
Screw and flange nut steel.

**Version:**  
Grip natural colour or black anodised.  
Screw and flange nut electro zinc-plated.

**Sample order:**  
K1127.120203

**Note:**  
- 19"  
- Closed design  
- Simple assembly  
- The cap is tapped on using a plastic hammer

### KIPP Pull handles

Order No. black	Order No. natural	A	B	D	H	L	Load capacity N
K1127.055201	K1127.055203	55	12,5	M5	40	75,5	1000
K1127.088201	K1127.088203	88	12,5	M5	40	108,5	1000
K1127.100201	K1127.100203	100	12,5	M5	40	120,5	1000
K1127.120201	K1127.120203	120	12,5	M5	40	140,5	1000
K1127.180201	K1127.180203	180	12,5	M5	40	200,5	1000
K1127.235201	K1127.235203	235	12,5	M5	40	255,5	1000