

Pull handles

19"



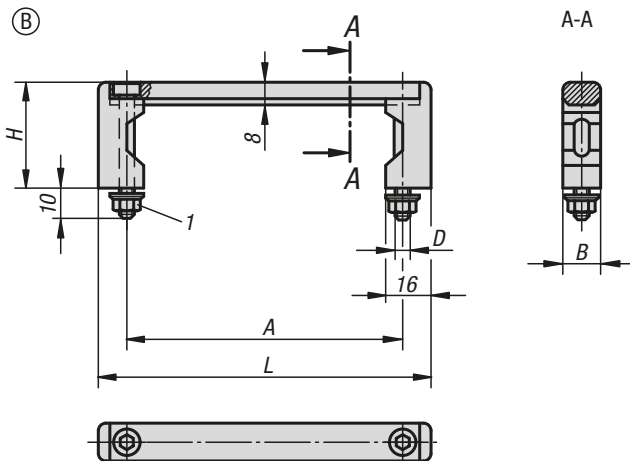
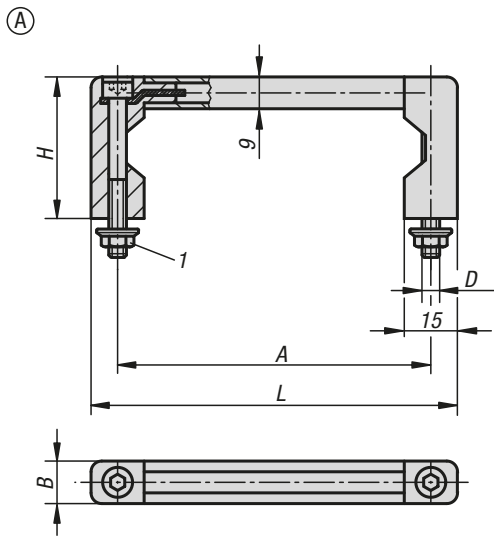
Material:
Grip aluminium.
Legs glass-bead reinforced polyamide.

Version:
Grip matt-finished and natural tone or black anodised.
Legs fine structure semi-matt, black.

Sample order:
K0216.10001

Assembly:
From the front.

Drawing reference:
1) Toothed locknut



KIPP Pull handles

Order No. black	Order No. natural	Form	A	B	D	H	L	Load capacity N
K0216.05501	K0216.05503	A	55	12	M5	40	70	1000
K0216.08801	K0216.08803	A	88	12	M5	40	103	1000
K0216.10001	K0216.10003	A	100	12	M5	40	115	1000
K0216.12001	K0216.12003	A	120	12	M5	40	135	1000
K0216.18001	K0216.18003	A	180	12	M5	40	195	1000
K0216.23501	K0216.23503	A	235	12	M5	40	250	1000
K0216.055101	K0216.055103	B	55	12	M5	40	75	1000
K0216.088101	K0216.088103	B	88	12	M5	40	108	1000
K0216.100101	K0216.100103	B	100	12	M5	40	120	1000
K0216.120101	K0216.120103	B	120	12	M5	40	140	1000
K0216.180101	K0216.180103	B	180	12	M5	40	200	1000
K0216.235101	K0216.235103	B	235	12	M5	40	255	1000