

## Pull handles

stainless steel



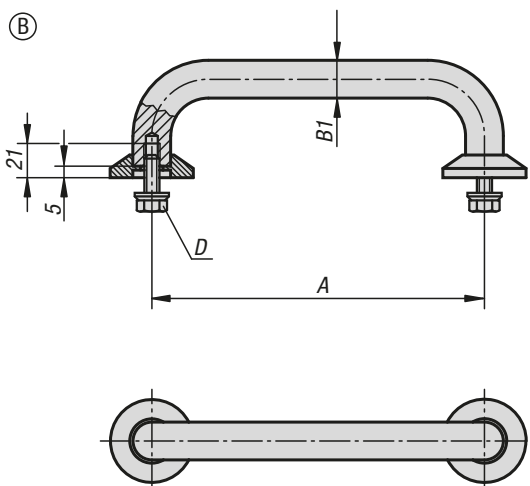
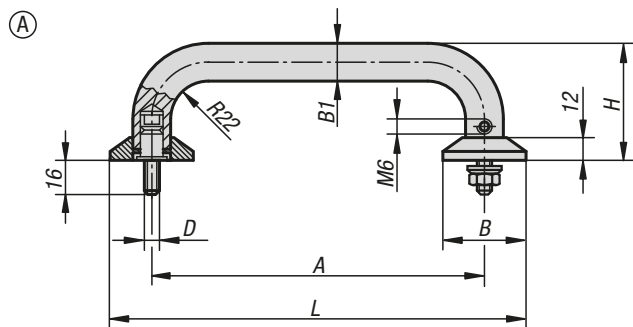
**Material:**  
Pull Handle and fasteners 1.4404 stainless steel.

**Version:**  
Ground and satin brushed finish.

**Sample order:**  
K0215.2001

**Note:**  
These stainless steel pull handles are ideal for all technical applications where highest load and high chemical or corrosive resistance is required.

**Drawing reference:**  
Form A  
fastening from the front.  
Form B  
fastening from the rear.



### KIPP Pull handles stainless steel

Order No.	Form	A	B	B1	D	H	L	Load capacity N
K0215.2001	A	200	50	20	M8	75	250	1000
K0215.2501	A	250	50	20	M8	75	300	1000
K0215.2002	B	200	50	20	M8	75	250	1000
K0215.2502	B	250	50	20	M8	75	300	1000