

## Pull handles

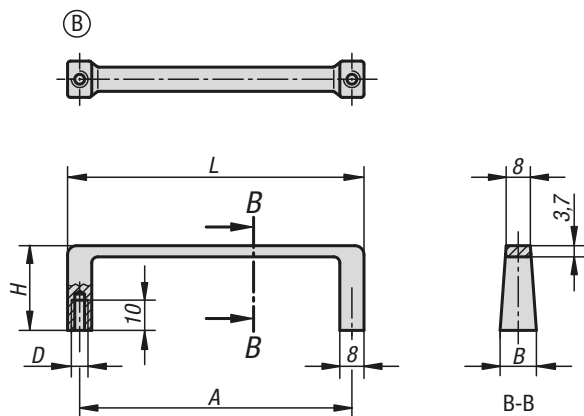
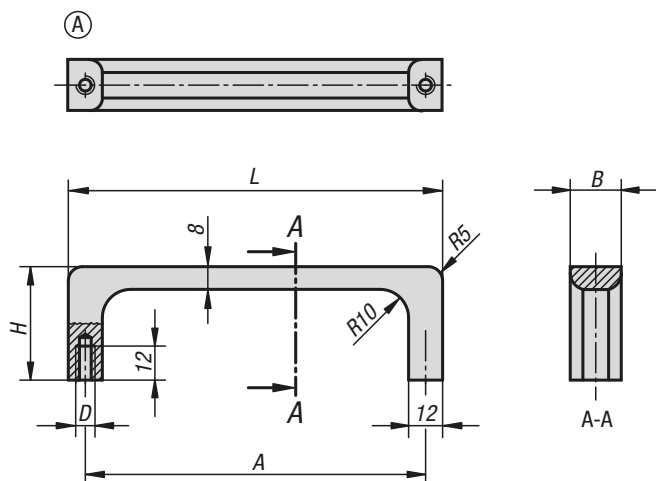


**Material:**  
Profile aluminium EN AW-6060

**Version:**  
Matt-finished, anodised black or natural tone.

**Sample order:**  
K0213.12001

**Assembly:**  
From the rear.



### KIPP Pull handles

Order No.	Form	Main colour	A	B	D	H	L	Load capacity N
K0213.12001	A	black	120	18	M6	40	132	500
K0213.09001	B	black	90	12	M5	28	98	300
K0213.12003	A	natural	120	18	M6	40	132	500
K0213.09003	B	natural	90	12	M5	28	98	300