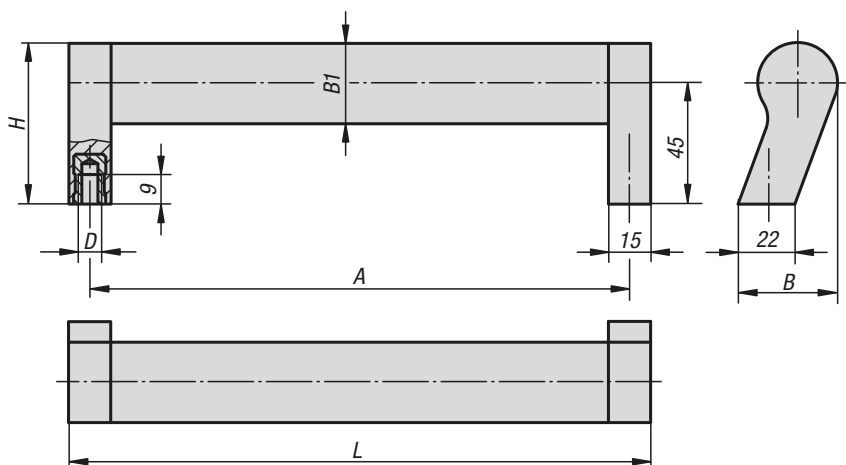


Tubular handles

oblique



Material:
Grip tube aluminium EN AW-6060;
Legs polyamide, glass-bead reinforced;
Bushing brass

Version:
Tube matt-polished anodised.
Legs black

Sample order:
K0212.2150061

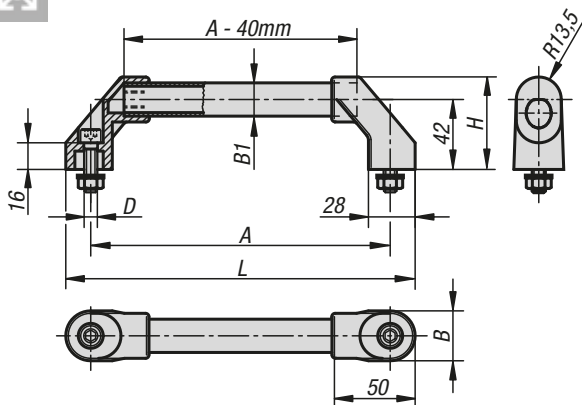
Note:
Oblique tubular pull handles in modern industrial design. Webs on the leg spigot provide a precision fit for the tube.

Assembly:
From the rear.

KIPP Tubular handles, oblique

Order No.	A	B	B1	D	H	L	Load capacity N
K0212.2150061	150	37	30X1,5	M6	60	165	800
K0212.2200061	200	37	30X1,5	M6	60	215	800
K0212.2250061	250	37	30X1,5	M6	60	265	800
K0212.2300061	300	37	30X1,5	M6	60	315	800
K0212.2350061	350	37	30X1,5	M6	60	365	800
K0212.2400061	400	37	30X1,5	M6	60	415	800

Tubular handles



Material:
Legs black glass-bead reinforced thermoplastic.
Grip aluminium EN AW-6060.

Version:
Grip, ground and natural colour anodised
Grip with serrated plastic sheath, black

Sample order:
K0221.3001

Note:
The legs have 4 webs in the hole for the grip tube. When pushing the tube in these are trimmed off and produce a precise seating. Black electro zinc-plated fastening screws, suitable washers and nuts are supplied.

Assembly:
From the front.

KIPP Tubular handles

Order No. ground and anodised	Order No. serrated plastic sleeve	A	B	B1	D	H	L	Load capacity N
K0221.1801	K0221.1802	180	30	20X2	M8X30	55,5	210	1000
K0221.2001	K0221.2002	200	30	20X2	M8X30	55,5	230	1000
K0221.2501	K0221.2502	250	30	20X2	M8X30	55,5	280	1000
K0221.3001	K0221.3002	300	30	20X2	M8X30	55,5	330	1000
K0221.3501	K0221.3502	350	30	20X2	M8X30	55,5	380	1000
K0221.4001	K0221.4002	400	30	20X2	M8X30	55,5	430	1000
K0221.5001	K0221.5002	500	30	20X2	M8X30	55,5	530	1000
K0221.6001	K0221.6002	600	30	20X2	M8X30	55,5	630	1000