

Tubular handles



Material:

Legs black glass-bead reinforced thermoplastic.
Grip tube aluminium.

Version:

Grip, ground and natural colour anodised
Grip with serrated plastic sheath, black

Sample order:

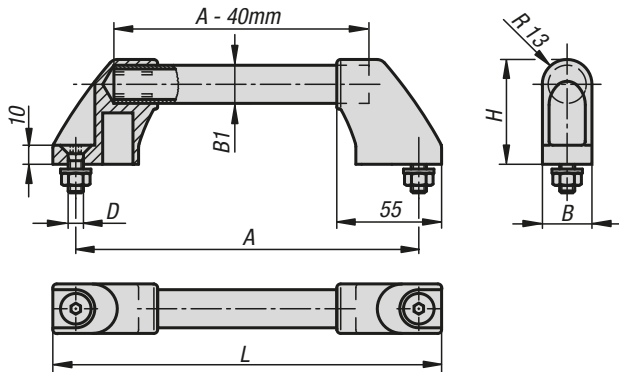
K0210.200

Note:

The legs have 4 webs in the hole for the grip tube.
When pushing the tube in, these are trimmed off and produce a precise seating.
Black electro zinc-plated fastening screws, suitable washers and nuts are supplied.

Assembly:

From the front.



KIPP Pull handles tubular

Order No. ground and anodised	Order No. serrated plastic sleeve	A	B	B1	D	H	L	Load capacity N
K0210.180	K0210.1803	180	26	20X2	M8x20	55	204	500
K0210.200	K0210.2003	200	26	20X2	M8x20	55	224	500
K0210.250	K0210.2503	250	26	20X2	M8x20	55	274	500
K0210.300	K0210.3003	300	26	20X2	M8x20	55	324	500
K0210.350	K0210.3503	350	26	20X2	M8x20	55	374	500
K0210.400	K0210.4003	400	26	20X2	M8x20	55	424	500
K0210.500	K0210.5003	500	26	20X2	M8x20	55	524	500
K0210.600	K0210.6003	600	26	20X2	M8x20	55	624	500