

Tubular handles



Material:

Aluminium.

Version:

Leg black powder-coated.

Grip natural colour anodised.

Sample order:

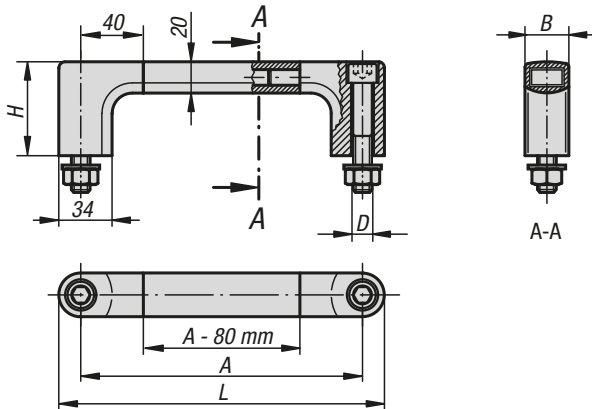
K0209.300

Note:

Black electro zinc-plated M12x70 cap screws, suitable washers and nuts for fastening are supplied.

Assembly:

From the front.



KIPP Tubular handles

Order No.	A	B	D	H	L	Load capacity N
K0209.180	180	28	M12	60	208	1000
K0209.200	200	28	M12	60	228	1000
K0209.250	250	28	M12	60	278	1000
K0209.300	300	28	M12	60	328	1000
K0209.350	350	28	M12	60	378	1000
K0209.400	400	28	M12	60	428	1000
K0209.500	500	28	M12	60	528	1000
K0209.600	600	28	M12	60	628	1000