

Pull handles



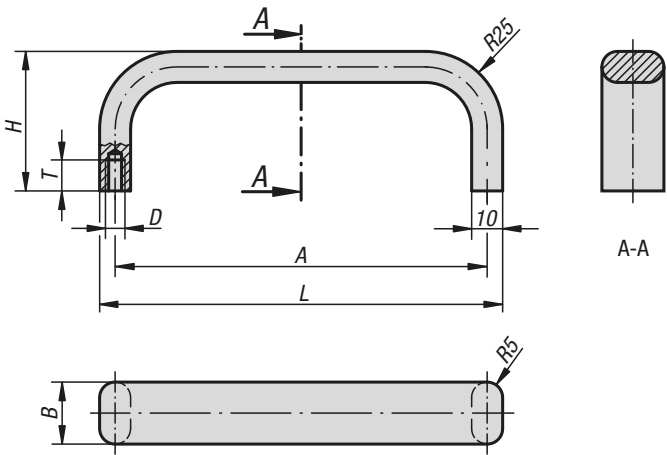
Material:
Profile aluminium EN AW-6060

Version:
Matt-finished, black or natural colour anodised

Sample order:
K0205.18001

Note:
These elegant flat profile aluminium handles are especially suitable for machines, fixtures, equipment etc.

Assembly:
From the rear.



KIPP Pull handles

Order No. black	Order No. natural	A	B	D	H	L	T	Load capacity N
K0205.12001	K0205.12003	120	20	M5	45	130	10	500
K0205.18001	K0205.18003	180	20	M5	45	190	10	500
K0205.20001	K0205.20003	200	20	M5	45	210	10	500
K0205.35001	K0205.35003	350	20	M6	45	360	12	500

Notes

