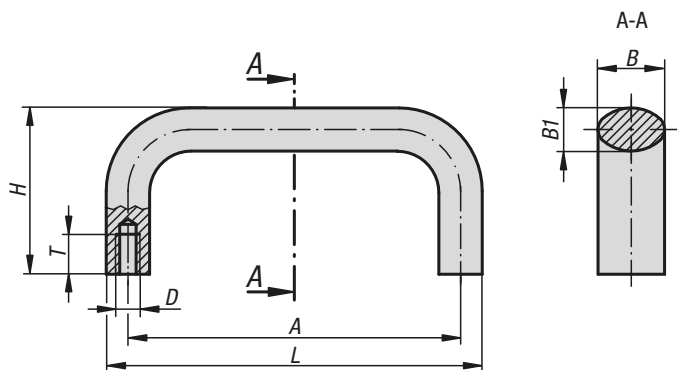


Pull handles oval



Material:

Oval aluminium EN AW-6060

Version:

Black or ruby red RAL 3003 powder-coated, natural tone anodised or bright vibratory ground.

Sample order:

K0204.10001

Note:

These pull handles are extremely robust and can also be used where rough usage is expected. The bright vibratory-ground version can be painted or coated after assembly.

Assembly:

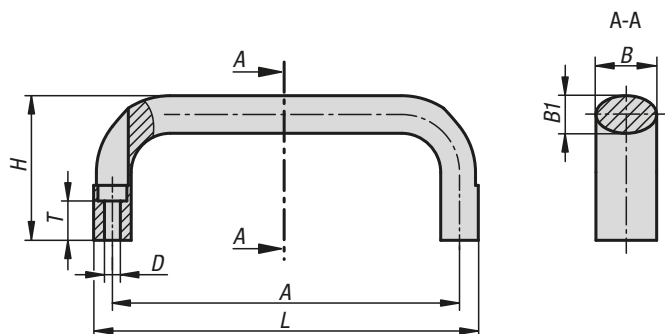
From the rear.

KIPP Pull handles, oval

| Order No. black powder-coated | Order No. natural anodised | Order No. ruby red powder-coated | Order No. - bright and tumbled | A | B | B1 | D | H | T | L | Load capacity N |
|-------------------------------------|----------------------------------|--|--------------------------------------|-----|----|----|----|----|----|-----|-----------------------|
| K0204.10001 | K0204.110003 | K0204.10027 | K0204.100 | 100 | 21 | 13 | M6 | 50 | 12 | 113 | 1000 |
| K0204.11201 | K0204.111203 | K0204.11227 | K0204.112 | 112 | 21 | 13 | M6 | 50 | 12 | 125 | 1000 |
| K0204.1120108 | K0204.11120308 | K0204.1122708 | K0204.11208 | 112 | 25 | 17 | M8 | 55 | 14 | 129 | 1000 |
| K0204.12001 | K0204.112003 | K0204.12027 | K0204.120 | 120 | 21 | 13 | M6 | 50 | 12 | 133 | 1000 |
| K0204.1200108 | K0204.11200308 | K0204.1202708 | K0204.12008 | 120 | 25 | 17 | M8 | 55 | 14 | 137 | 1000 |
| K0204.12801 | K0204.112803 | K0204.12827 | K0204.128 | 128 | 21 | 13 | M6 | 50 | 12 | 141 | 1000 |
| K0204.1280108 | K0204.11280308 | K0204.1282708 | K0204.12808 | 128 | 25 | 17 | M8 | 55 | 14 | 145 | 1000 |
| K0204.1600106 | K0204.11600306 | K0204.1602706 | K0204.16006 | 160 | 21 | 13 | M6 | 50 | 12 | 173 | 1000 |
| K0204.16001 | K0204.116003 | K0204.16027 | K0204.160 | 160 | 25 | 17 | M8 | 55 | 14 | 177 | 1000 |
| K0204.18001 | K0204.118003 | K0204.18027 | K0204.180 | 180 | 25 | 17 | M8 | 55 | 14 | 197 | 1000 |
| K0204.19201 | K0204.119203 | K0204.19227 | K0204.192 | 192 | 25 | 17 | M8 | 55 | 14 | 209 | 1000 |
| K0204.35001 | K0204.135003 | K0204.35027 | K0204.350 | 350 | 25 | 17 | M8 | 55 | 14 | 367 | 1000 |

Pull handles oval

with thru hole



Material:

Oval aluminium EN AW-6060

Version:

Black or ruby red RAL 3003, powder-coated.

Sample order:

K0204.11120105

Assembly:

From the front.

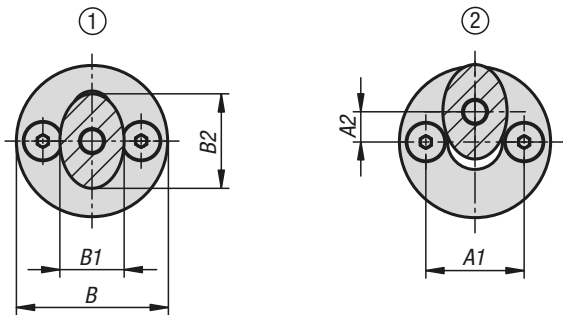
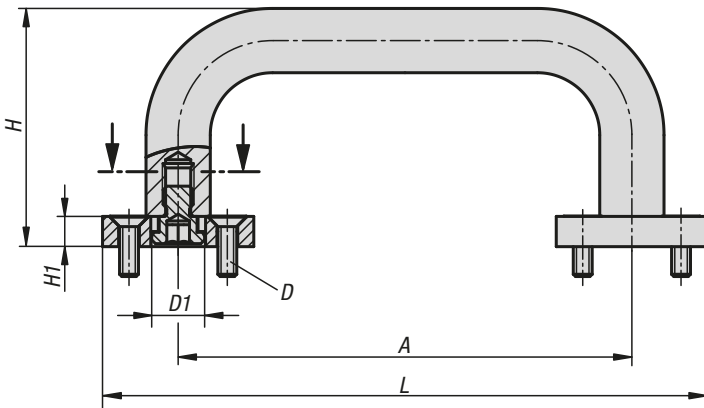
Accessories:

Use ISO 4762-M5/M6 cap screws for mounting the handles.

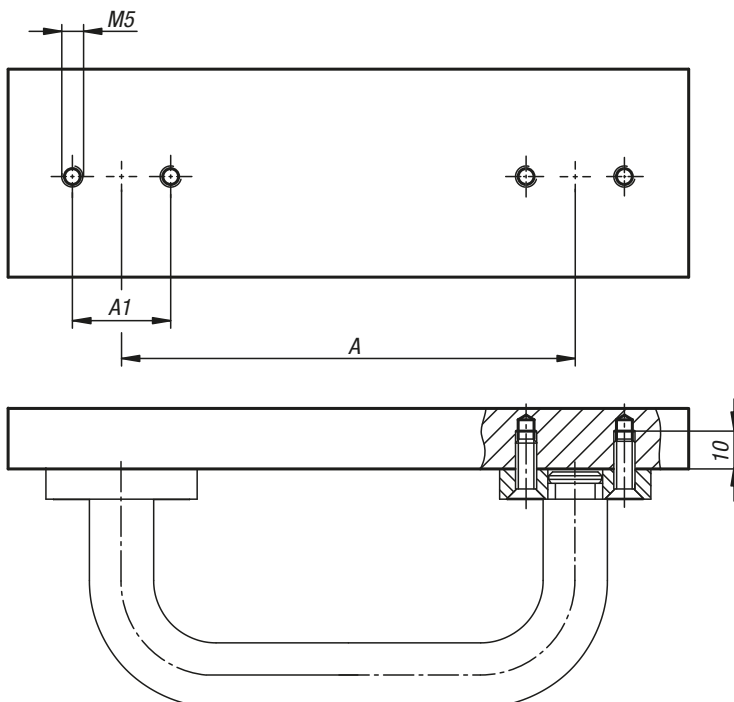
KIPP Pull handles, oval with thru hole

| Order No. black | Order No. ruby red | A | B | B1 | D | H | L | T | Load capacity N |
|--------------------|-----------------------|-----|----|----|-----|----|-----|------|-----------------------|
| K0204.11000105 | K0204.11002705 | 100 | 21 | 13 | 5,5 | 50 | 113 | 13,6 | 1000 |
| K0204.11120105 | K0204.11122705 | 112 | 21 | 13 | 5,5 | 50 | 125 | 13,6 | 1000 |
| K0204.11120106 | K0204.11122706 | 112 | 25 | 17 | 6,6 | 55 | 129 | 11 | 1000 |
| K0204.11200105 | K0204.11202705 | 120 | 21 | 13 | 5,5 | 50 | 133 | 13,6 | 1000 |
| K0204.11200106 | K0204.11202706 | 120 | 25 | 17 | 6,6 | 55 | 137 | 11 | 1000 |
| K0204.11280105 | K0204.11282705 | 128 | 21 | 13 | 5,5 | 50 | 141 | 13,6 | 1000 |
| K0204.11280106 | K0204.11282706 | 128 | 25 | 17 | 6,6 | 55 | 145 | 11 | 1000 |
| K0204.11600105 | K0204.11602705 | 160 | 21 | 13 | 5,5 | 50 | 173 | 13,6 | 1000 |
| K0204.11600106 | K0204.11602706 | 160 | 25 | 17 | 6,6 | 55 | 177 | 11 | 1000 |
| K0204.11800106 | K0204.11802706 | 180 | 25 | 17 | 6,6 | 55 | 197 | 11 | 1000 |

Pull handles oval detachable



mounting instructions:



Material:

Pull handle, oval aluminium EN AW-6060.
Locating pin steel.
Blanking disc steel.

Version:

Pull handle black powder-coated.
Locating pin and blanking disc black oxidised.

Sample order:

K0204.10012001

Note:

The pull handles are mounted on an object by a push-fit system.
Dismantling is carried out when no load is applied.

Application:

Insert the pull handle into the opening until the grip makes contact with the blanking disc.
Lock by holding the handle parallel and pulling up.
The grip can only be subject to vertical loads.
To release, follow the previous instructions in reverse.

Assembly:

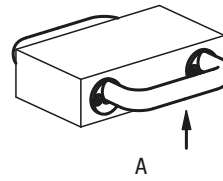
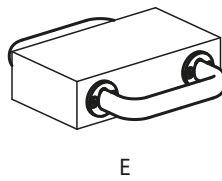
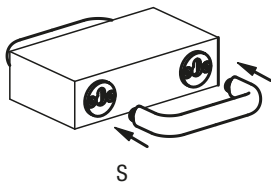
An object must be prepared before the blanking disc can be mounted.
See mounting instructions drawing.

Drawing reference:

- 1) Position disengaged
- 2) Position engaged

S = insert
E = engage
A = lift

Pull handles oval detachable



KIPP Pull handles oval detachable

| Order No. | A | A1 | A2 | B | B1 | B2 | D | D1 | H | H1 | L | Load capacity N |
|----------------|-----|----|----|----|----|----|-------|----|----|----|-----|-----------------|
| K0204.10012001 | 100 | 24 | 7 | 35 | 13 | 21 | M5x16 | 12 | 58 | 8 | 135 | 1000 |
| K0204.11212001 | 112 | 24 | 7 | 35 | 13 | 21 | M5x16 | 12 | 58 | 8 | 147 | 1000 |
| K0204.11214001 | 112 | 26 | 8 | 40 | 15 | 25 | M5x16 | 14 | 63 | 8 | 152 | 1000 |
| K0204.12012001 | 120 | 24 | 7 | 35 | 13 | 21 | M5x16 | 12 | 58 | 8 | 155 | 1000 |
| K0204.12014001 | 120 | 26 | 8 | 40 | 17 | 25 | M5x16 | 14 | 63 | 8 | 160 | 1000 |
| K0204.12812001 | 128 | 24 | 7 | 35 | 13 | 21 | M5x16 | 12 | 58 | 8 | 163 | 1000 |
| K0204.12814001 | 128 | 26 | 8 | 40 | 17 | 25 | M5x16 | 14 | 63 | 8 | 168 | 1000 |
| K0204.16012001 | 160 | 24 | 7 | 35 | 13 | 21 | M5x16 | 12 | 58 | 8 | 195 | 1000 |
| K0204.16014001 | 160 | 26 | 8 | 40 | 17 | 25 | M5x16 | 14 | 63 | 8 | 200 | 1000 |
| K0204.18014001 | 180 | 26 | 8 | 40 | 17 | 25 | M5x16 | 14 | 63 | 8 | 220 | 1000 |
| K0204.19214001 | 192 | 26 | 8 | 40 | 17 | 25 | M5x16 | 14 | 63 | 8 | 232 | 1000 |
| K0204.35014001 | 350 | 26 | 8 | 40 | 17 | 25 | M5x16 | 14 | 63 | 8 | 390 | 1000 |