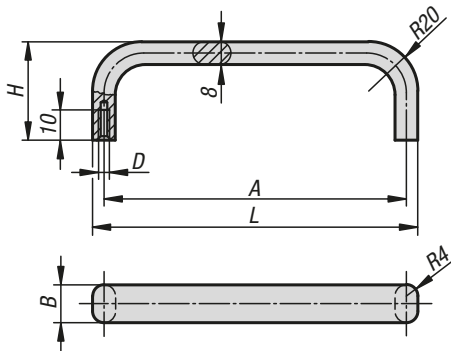


## Pull handles oval

19"



**Material:**  
Oval aluminium.

**Version:**  
Surface matt-finished and natural colour or black anodised.

**Sample order:**  
K0202.055051

**Assembly:**  
From the rear.

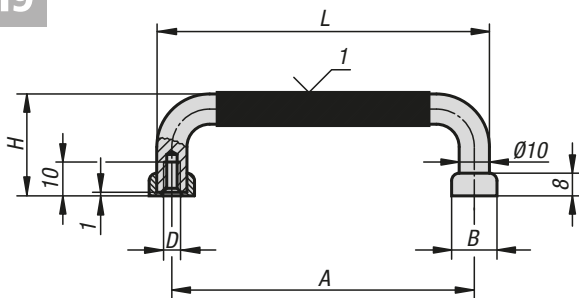
### KIPP Pull handles oval

Order No. black	Order No. natural	A	B	D	H	L	Load capacity N
K0202.055051	K0202.055053	55	12	M5	40	63	500
K0202.088051	K0202.088053	88	12	M5	40	96	500
K0202.100051	K0202.100053	100	12	M5	40	108	500
K0202.120051	K0202.120053	120	12	M5	40	128	500
K0202.180051	K0202.180053	180	12	M5	40	188	500
K0202.200051	K0202.200053	200	12	M5	40	208	500
K0202.235051	K0202.235053	235	12	M5	40	243	500
K0202.250051	K0202.250053	250	12	M5	40	258	500

# K0203

## Pull handles round

19"



**Material:**  
Round steel

**Version:**  
Surface very finely ground and matt-polish chrome-plated.  
Grip plastic coated.

**Sample order:**  
K0203.05505

**Note:**  
High quality handles for front panels and similar applications.

**Assembly:**  
From the rear.

**Drawing reference:**  
1) plastic coating

### KIPP Pull handles round

Order No.	A	B	D	H	L	Load capacity N
K0203.05505	55	14	M5	41	65	1000
K0203.08805	88	14	M5	41	98	1000
K0203.10005	100	14	M5	41	110	1000
K0203.10205	102	14	M5	41	112	1000
K0203.11505	115	14	M5	41	125	1000
K0203.12005	120	14	M5	41	130	1000
K0203.13605	136	14	M5	41	146	1000
K0203.18005	180	14	M5	41	190	1000
K0203.20005	200	14	M5	41	210	1000
K0203.23505	235	14	M5	41	245	1000
K0203.25005	250	14	M5	41	260	1000