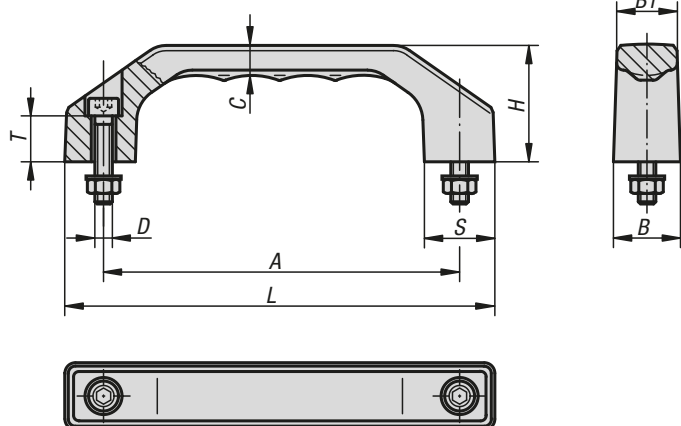


## Pull handles



**Material:**

Glass bead reinforced thermoplastic.

**Version:**

Matt black with fine texture.

**Sample order:**

K0200.140082

**Note:**

These handles are extremely flex-resistant and very user friendly. Fastening screws, nuts and washers are supplied. Stainless steel fasteners are supplied for wet areas.

**Assembly:**

From the front.

### KIPP Pull handles

Order No.	Order No. wet area	A	B	B1	C	D	H	L	S	T	Load capacity N
K0200.100051	K0200.100052	100	19	17	8,5	M5X22	35	122	20	13	1000
K0200.120061	K0200.120062	120	23	20,5	10,5	M6X25	39	146	24	15	1000
K0200.140081	K0200.140082	140	27	24	12	M8X30	45	170	28	16	1000
K0200.160081	K0200.160082	160	31	27,5	13,5	M8X35	52	194	32	20	1000
K0200.180081	K0200.180082	180	35	31	15,5	M10X40	58	218	36	20	1000