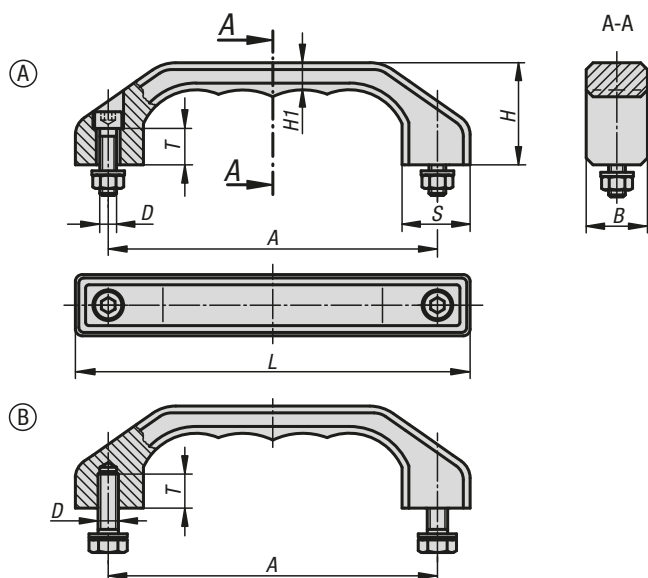


Pull handles

stainless steel



Material:
Investment cast 1.4308 stainless steel.
Fasteners 1.4301 stainless steel.

Version:
Abrasive cleaned and matt gloss electropolished.

Sample order:
K0198.140081

Assembly:
Form A from the front.
Form B from the rear.

KIPP Pull handles stainless steel

Order No.	Form	A	B	D	H	H1	L	S	T	Load capacity N
K0198.140081	A	140	25	M8x30	45	12	170	28	15	1000
K0198.180101	A	180	32	M10x40	58	15	218	36	18	1000
K0198.140082	B	140	25	M8x18	45	12	170	28	15	1000
K0198.180102	B	180	32	M10x20	58	15	218	36	18	1000