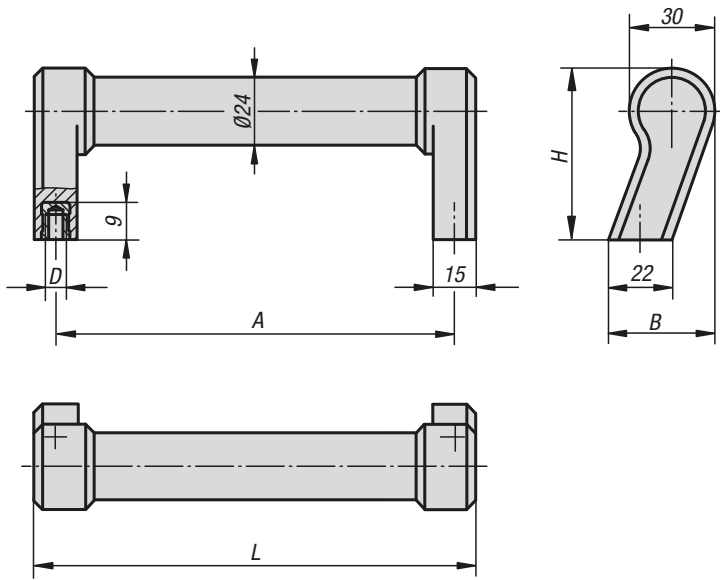


Pull handles

oblique



Material:

Grip glass-bead reinforced thermoplastic.
Bushing brass.

Version:

Matt black or light grey

Sample order:

K0197.140061

Note:

Oblique, robust polyamide handle. Tube and legs form one unit. The oblique contact faces allow mounting under cramped conditions e.g. in corners.

Assembly:

From the rear.

KIPP Pull handles, oblique

Order No.	Main colour	A	B	D	H	L	Load capacity N
K0197.140061	black grey RAL 7021	140	37	M6	60	155	1000
K0197.140062	light grey RAL 7035	140	37	M6	60	155	1000