

## Pull handles



**Material:**  
Glass-bead reinforced thermoplastic.

**Version:**  
matt black.

**Sample order:**  
K0192.110006

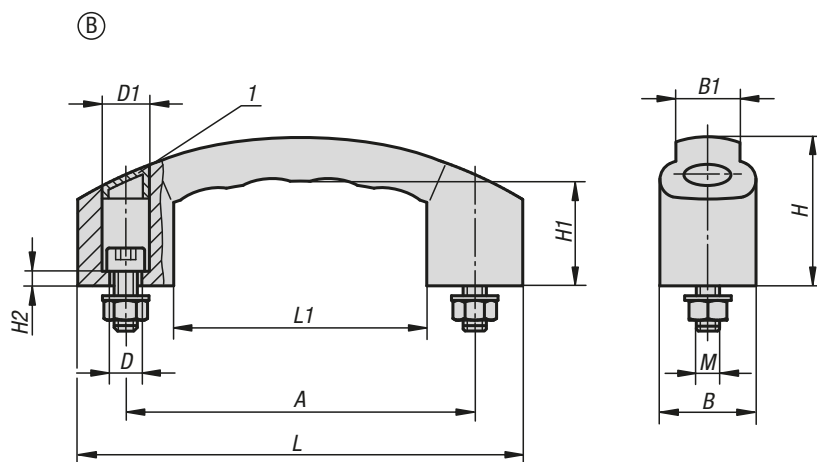
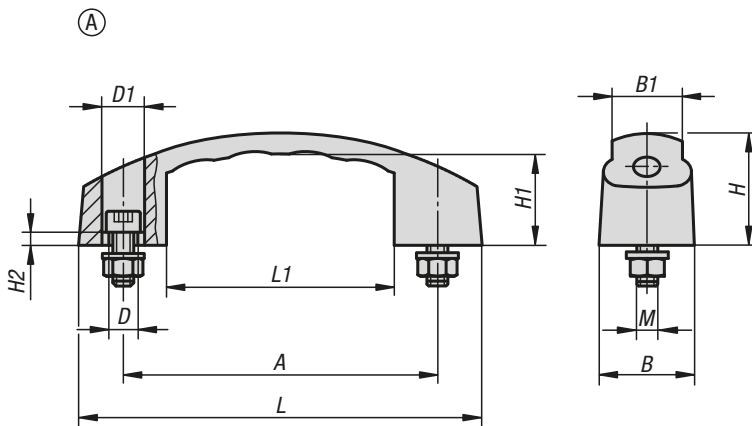
**Note:**  
Ergonomic and functional pull handles with temperature resistance of -50 °C to +130 °C.

Supplied with DIN 912 socket head screws, DIN 934 nuts and DIN 125 electro zinc-plated washers as well as caps for Form B.  
Form A are supplied without caps.

**Assembly:**  
From the front.

**Drawing reference:**  
Form A: without cover cap  
Form B: with cover cap

1) cover cap



### KIPP Pull handles

| Order No.    | Form | Version           | A   | B  | B1 | D   | D1 | H  | H1 | H2 | L   | L1  | M     | Load capacity N |
|--------------|------|-------------------|-----|----|----|-----|----|----|----|----|-----|-----|-------|-----------------|
| K0192.110006 | A    | without cover cap | 100 | 27 | 22 | 7   | 11 | 38 | 29 | 5  | 130 | 79  | M6x25 | 600             |
| K0192.112006 | A    | without cover cap | 120 | 29 | 23 | 7   | 11 | 38 | 29 | 8  | 150 | 91  | M6x25 | 600             |
| K0192.212008 | B    | with cover cap    | 120 | 33 | 22 | 9   | 14 | 51 | 36 | 5  | 153 | 87  | M8x30 | 1000            |
| K0192.214008 | B    | with cover cap    | 140 | 38 | 26 | 9,5 | 15 | 59 | 42 | 6  | 178 | 101 | M8x30 | 1000            |