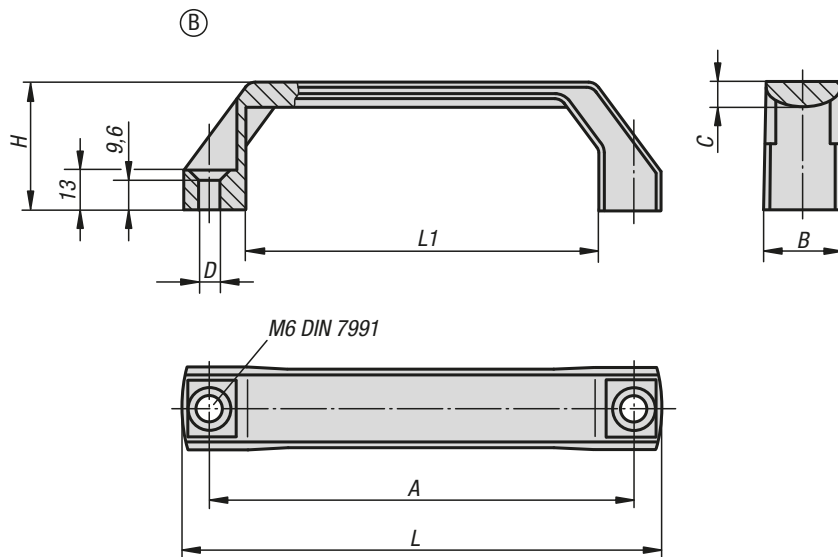
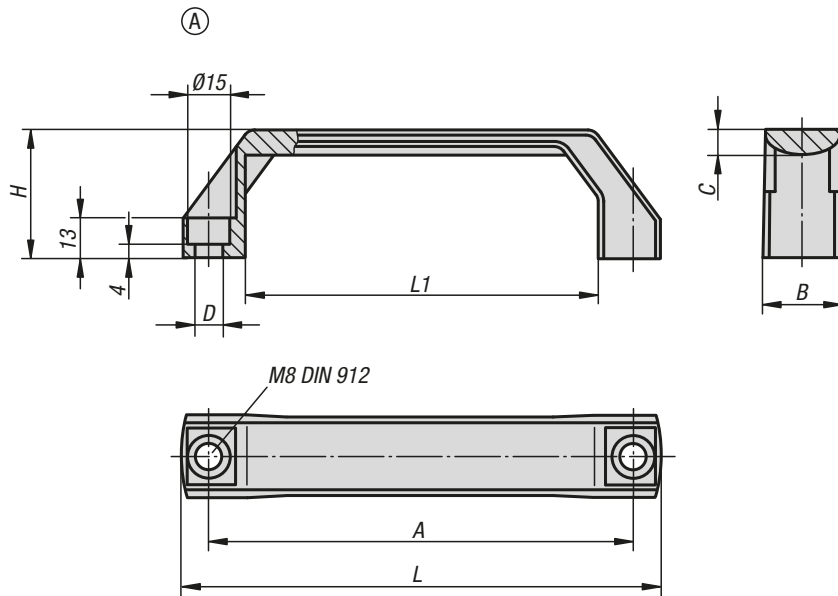


Pull handles



Material:
Glass bead reinforced thermoplastic.

Version:
Black RAL 7021 or orange.

Sample order:
K0191.1120081

Note:
Dimension "A" applies after mounting. Before mounting it can be up to 2 mm smaller due to the release of the bending stress.

Assembly:
From the front.

KIPP Pull handles

Order No. black grey RAL 7021	Order No. orange	Form	A	B	C	D	H	L	L1	Load capacity N
K0191.1120081	K0191.1120082	A	120	26	8	9	42	138	96	1000
K0191.1140081	K0191.1140082	A	140	26	8	9	42	158	116	1000
K0191.1160081	K0191.1160082	A	160	28	9	9	45	178	136	1000
K0191.2120061	K0191.2120062	B	120	26	8	6,6	42	138	96	1000
K0191.2140061	K0191.2140062	B	140	26	8	6,6	42	158	116	1000
K0191.2160061	K0191.2160062	B	160	28	9	6,6	45	178	136	1000