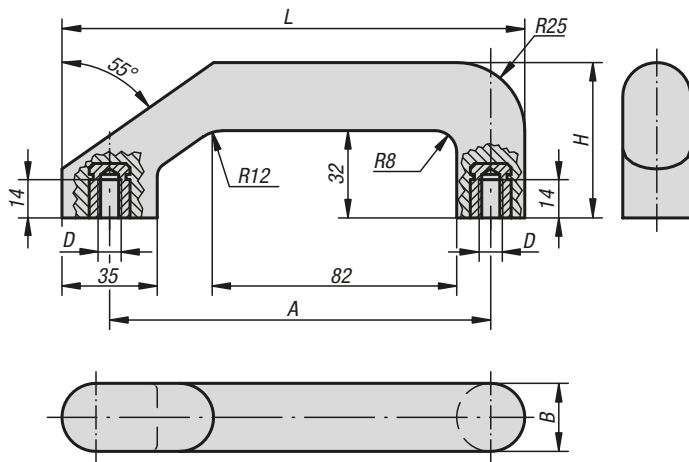


## Pull handles



**Material:**  
Thermoset PF 31, black.  
Bushes brass or electro zinc-plated steel.

**Version:**  
High-gloss polished.

**Sample order:**  
K0187.101

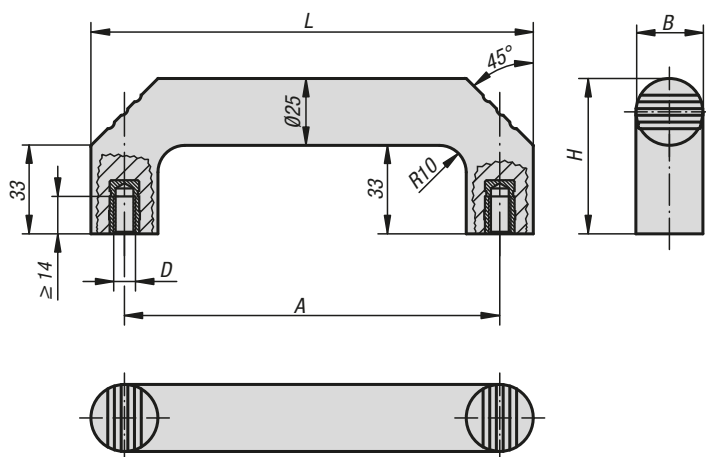
**Assembly:**  
From the rear.

### KIPP Pull handles

Order No.	Component material	A	B	D	H	L	Load capacity N
K0187.101	brass	140	25	M8	57	170	300
K0187.201	steel	140	25	M8	57	170	300

# K0188

## Pull handles



**Material:**  
Thermoset PF 31, black.  
Bushes brass or electro zinc-plated steel.

**Version:**  
High-gloss polished.

**Sample order:**  
K0188.114008

**Assembly:**  
From the rear.

### KIPP Pull handles

Order No.	Component material	A	B	D	H	L	Load capacity N
K0188.114008	brass	140	25	M8	58	165	500
K0188.214008	steel	140	25	M8	58	165	500